

Off-Line Digital Green-Mode Quasi-Resonant PWM Controller

1 Description

The iW1699 is a high performance AC/DC power supply controller that uses digital control technology to build peak current mode PWM flyback power supplies. The device operates in quasi-resonant mode to provide high efficiency and key built-in protection features while minimizing the external component count, simplifying EMI design and lowering the total bill of material cost. The iW1699 removes the need for a secondary feedback circuit while achieving excellent line and load regulation. It also eliminates the need for loop compensation components while maintaining stability over all operating conditions. Pulse-by-pulse waveform analysis allows for a loop response that is much faster than traditional solutions, resulting in improved dynamic load response for both one-time and repetitive load transients. The built-in power limit function enables optimized transformer design in universal off-line applications and allows for a wide input voltage range.

Dialog's innovative proprietary technology ensures that power supplies built with the iW1699 can achieve both highest average active efficiency and less than 30mW no-load power consumption, and have fast dynamic load response in a compact form factor in typical 12W and above applications. The active start-up scheme enables shortest possible start-up time without sacrificing no-load power loss.

2 Features

- No-load power consumption < 30mW at 230V_{AC} along with fast dynamic load response and short turn-on delay time in typical 12W compact adapter/charger applications
- Tight constant-voltage and constant-current regulation across line and load range
- **PrimAccurate™** primary-side feedback eliminates opto-isolators and simplifies design
- Proprietary optimized 89kHz maximum PWM switching frequency with quasi-resonant operation achieves best size, efficiency and common mode noise
- User-configurable 5-level cable drop compensation provides design flexibility
- **EZ-EMI®** design enhances manufacturability
- Adaptive multi-mode PWM/PFM control improves efficiency
- No external loop compensation components required
- Complies with EPA 2.0 energy-efficiency specifications with ample margin
- Built-in single-point fault protection features: output short-circuit protection, output over-voltage protection, over-current protection and current-sense-resistor fault protection
- Dedicated pins for external over-temperature protection and over-voltage protection, with latch function available
- No audible noise over entire operating range

3 Applications

- Compact AC/DC adapters or chargers for media tablets and smart phones
- AC/DC adapters for consumer electronics

Off-Line Digital Green-Mode Quasi-Resonant PWM Controller

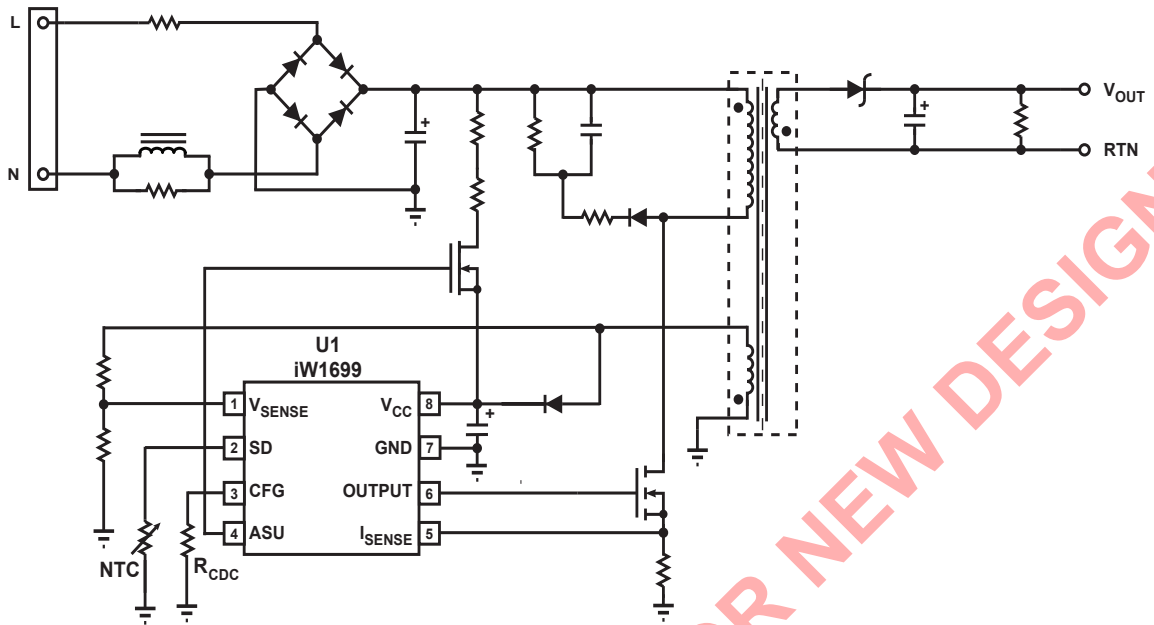


Figure 3.1 : iW1699 Typical Application Circuit (Achieving < 30mW No-load Power Consumption)

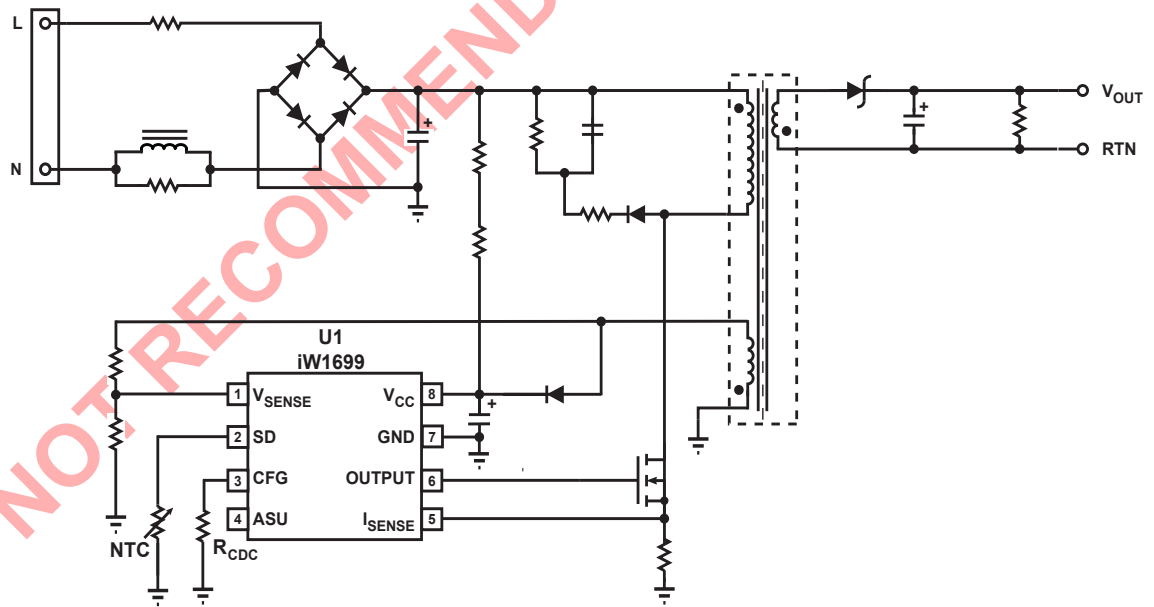


Figure 3.2 : iW1699 Typical Application Circuit (Alternative Circuit without Using Active Start-up Device)

Off-Line Digital Green-Mode Quasi-Resonant PWM Controller

4 Pinout Description

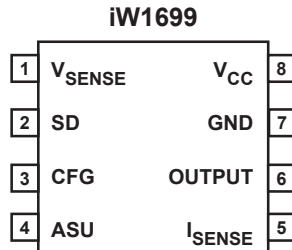


Figure 4.1 : 8-Pin SOIC-8 Package

Pin No.	Pin Name	Type	Pin Description
1	V _{SENSE}	Analog Input	Auxiliary voltage sense (used for primary regulation).
2	SD	Analog Input	External shutdown control. Used for external over-temperature protection (OTP) by connecting an NTC resistor from this pin to Ground.
3	CFG	Analog Input	Used for external cable drop compensation (CDC) configuration and supplemental over-voltage protection (OVP).
4	ASU	Output	Control signal for active start-up device (BJT or depletion mode NFET).
5	I _{SENSE}	Analog Input	Primary current sense. Used for cycle-by-cycle peak current control and limit.
6	OUTPUT	Output	Gate drive for external MOSFET switch.
7	GND	Ground	Ground.
8	V _{CC}	Power Input	Power supply for control logic.

Off-Line Digital Green-Mode Quasi-Resonant PWM Controller

5 Absolute Maximum Ratings

Absolute maximum ratings are the parameter values or ranges which can cause permanent damage if exceeded.

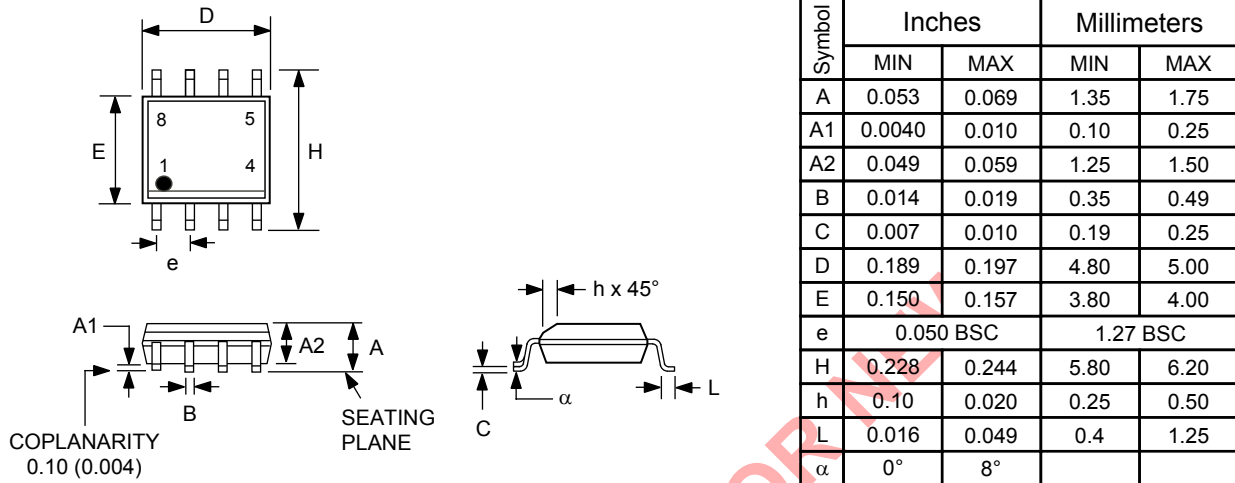
Parameter	Symbol	Value	Units
DC supply voltage range (pin 8, $I_{CC} = 20\text{mA max}$)	V_{CC}	-0.3 to 18.0	V
Continuous DC supply current at V_{CC} pin ($V_{CC} = 15\text{V}$)	I_{CC}	20	mA
ASU output (pin 4)		-0.3 to 18.0	V
OUTPUT (pin 6)		-0.3 to 18.0	V
V_{SENSE} input (pin 1, $I_{VSENSE} \leq 10\text{mA}$)		-0.7 to 4.0	V
I_{SENSE} input (pin 5)		-0.3 to 4.0	V
SD (pin 2)		-0.3 to 4.0	V
CFG (pin 3, $I_{CFG} \leq 20\text{mA}$)		-0.8 to 4.0	V
Maximum junction temperature	T_{JMAX}	150	°C
Operating junction temperature	T_{JOPT}	-40 to 150	°C
Storage temperature	T_{STG}	-65 to 150	°C
Thermal resistance junction-to-ambient	θ_{JA}	160	°C/W
ESD rating per JEDEC JESD22-A114		$\pm 2,000$	V
Latch-up test per JESD78A		± 100	mA

NOT RECOMMENDED FOR NEW DESIGNS

Off-Line Digital Green-Mode Quasi-Resonant PWM Controller

6 Physical Dimensions

8-Lead Small Outline (SOIC) Package



Compliant to JEDEC Standard MS12F

Controlling dimensions are in inches; millimeter dimensions are for reference only

This product is RoHS compliant and Halide free.

Soldering Temperature Resistance:

[a] Package is IPC/JEDEC Std 020D moisture sensitivity level 1

[b] Package exceeds JEDEC Std No. 22-A111 for solder immersion resistance; package can withstand 10 s immersion < 260°C

Dimension D does not include mold flash, protrusions or gate burrs. Mold flash, protrusions or gate burrs shall not exceed 0.15 mm per end. Dimension E1 does not include interlead flash or protrusion. Interlead flash or protrusion shall not exceed 0.25 mm per side.

The package top may be smaller than the package bottom. Dimensions D and E1 are determined at the outermost extremes of the plastic body exclusive of mold flash, tie bar burrs, gate burrs and interlead flash, but including any mismatch between the top and bottom of the plastic body.

7 Ordering Information

Part no.	Options	Package	Description
iW1699-01	OVP/OTP latch, no CC operation	SOIC-8	Tape & Reel ¹
iW1699-02	No OVP/OTP latch, 0.75V CC shutdown voltage	SOIC-8	Tape & Reel ¹
iW1699-03	OVP/OTP latch, 0.75V CC shutdown voltage	SOIC-8	Tape & Reel ¹
iW1699-05	No OVP/OTP latch, 2.9V CC shutdown voltage	SOIC-8	Tape & Reel ¹

Note 1: Tape and reel packing quantity is 2,500/reel. Minimum ordering quantity is 2,500.

Off-Line Digital Green-Mode Quasi-Resonant PWM Controller

Disclaimer

Information in this document is believed to be accurate and reliable. However, Dialog Semiconductor does not give any representations or warranties, expressed or implied, as to the accuracy or completeness of such information. Dialog Semiconductor furthermore takes no responsibility whatsoever for the content in this document if provided by any information source outside of Dialog Semiconductor.

Dialog Semiconductor reserves the right to change without notice the information published in this document, including without limitation the specification and the design of the related semiconductor products, software and applications.

Applications, software, and semiconductor products described in this document are for illustrative purposes only. Dialog Semiconductor makes no representation or warranty that such applications, software and semiconductor products will be suitable for the specified use without further testing or modification. Unless otherwise agreed in writing, such testing or modification is the sole responsibility of the customer and Dialog Semiconductor excludes all liability in this respect.

Customer notes that nothing in this document may be construed as a license for customer to use the Dialog Semiconductor products, software and applications referred to in this document. Such license must be separately sought by customer with Dialog Semiconductor.

All use of Dialog Semiconductor products, software and applications referred to in this document are subject to [Dialog Semiconductor's Standard Terms and Conditions of Sale](#), available on the company website (www.dialog-semiconductor.com) unless otherwise stated.

Dialog and the Dialog logo are trademarks of Dialog Semiconductor plc or its subsidiaries. All other product or service names are the property of their respective owners.

© 2018 Dialog Semiconductor. All rights reserved.

RoHS Compliance

Dialog Semiconductor's suppliers certify that its products are in compliance with the requirements of Directive 2011/65/EU of the European Parliament on the restriction of the use of certain hazardous substances in electrical and electronic equipment. RoHS certificates from our suppliers are available on request.

Contacting Dialog Semiconductor

United Kingdom (Headquarters)
Dialog Semiconductor (UK) LTD
Phone: +44 1793 757700

Germany
Dialog Semiconductor GmbH
Phone: +49 7021 805-0

The Netherlands
Dialog Semiconductor B.V.
Phone: +31 73 640 8822

Email
info_pcbg@diasemi.com

North America
Dialog Semiconductor Inc.
Phone: +1 408 845 8500

Japan
Dialog Semiconductor K. K.
Phone: +81 3 5425 4567

Taiwan
Dialog Semiconductor Taiwan
Phone: +886 281 786 222

Web site:
www.dialog-semiconductor.com

Singapore
Dialog Semiconductor Singapore
Phone: +65 64 8499 29

Hong Kong
Dialog Semiconductor Hong Kong
Phone: +852 3769 5200

Korea
Dialog Semiconductor Korea
Phone: +82 2 3469 8200

China (Shenzhen)
Dialog Semiconductor China
Phone: +86 755 2981 3669

China (Shanghai)
Dialog Semiconductor China
Phone: +86 21 5424 9058