

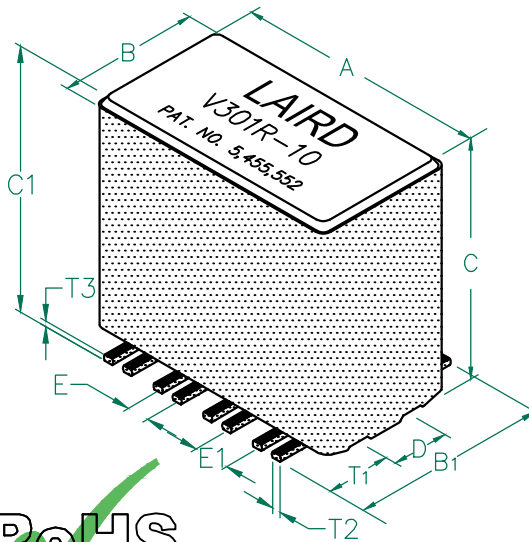
CM6032V301R-10

PHYSICAL DIMENSIONS:

A	15.24 [.600]	+ 0.23 [.009]
B	8.13 [.320]	+ 0.13 [.005]
B ₁	10.92 [.430]	MAX
C	14.48 [.570]	+ 0.25 [.010]
C ₁	15.11 [.595]	MAX
D	4.06 [.160]	+ 0.05 [.002]
E	1.27 [.050]	+ 0.13 [.005]
E ₁	2.03 [.080]	+ 0.13 [.005]

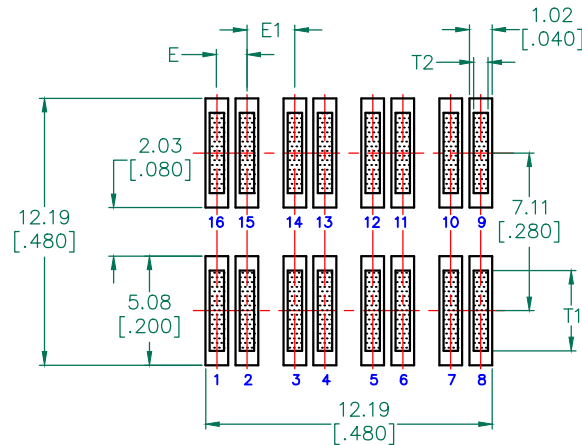
WIRE DIMENSIONS:

T ₁	3.30 [.130]	+ 0.38 [.015]
T ₂	0.64 [.025]	TYP
T ₃	0.38 [.015]	TYP

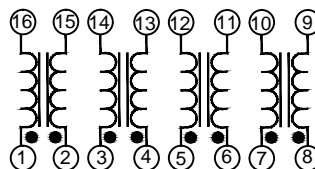


RoHS

LAND PATTERNS FOR REFLOW SOLDERING



EQUIVALENT CIRCUIT



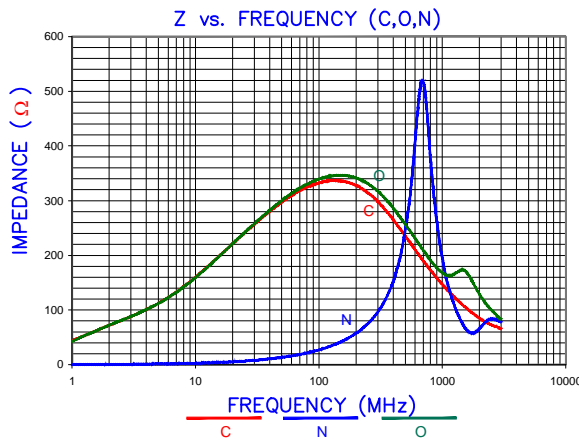
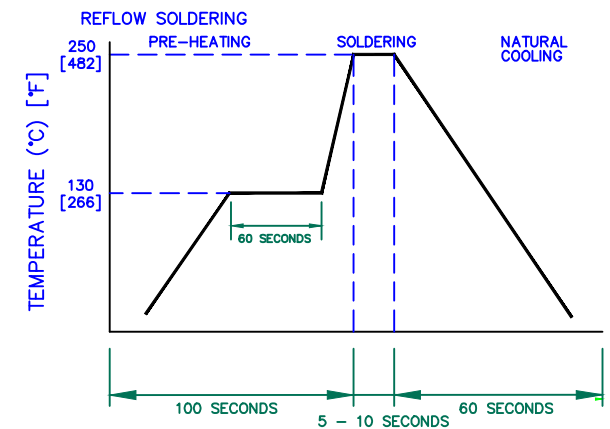
ELECTRICAL CHARACTERISTICS:

	Z @ 100MHz (Ω)	DCR (Ω)	Rated Current
Nominal	300		
Minimum	225		
Maximum	375	0.01	8,000 mA

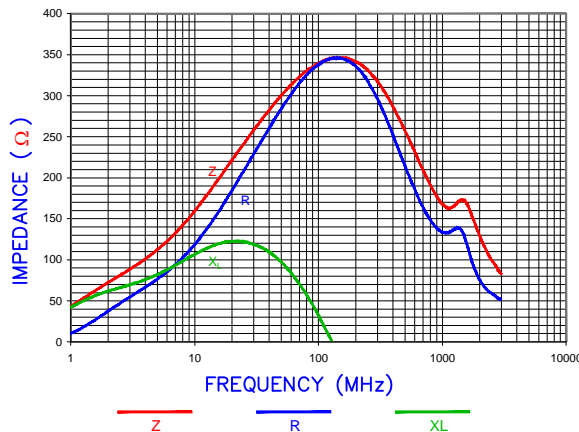
NOTES: UNLESS OTHERWISE SPECIFIED

1. TAPED AND REELED per CURRENT EIA SPECIFICATIONS 13" REELS, 100 PCS/REEL.
2. COMPONENTS SHOULD BE ADEQUATELY PREHEATED BEFORE SOLDERING.
3. REF. CARRIER TAPE SPECIFICATION # CART6032-33.
4. TERMINATION FINISH IS 100% TIN.
5. THIS PART HAS NO PIN POLARITY.
6. OPERATION TEMPERATURE (INCLUDING SELF-HEATING): -40 ~ +125°C.

RECOMMENDED SOLDERING CONDITIONS



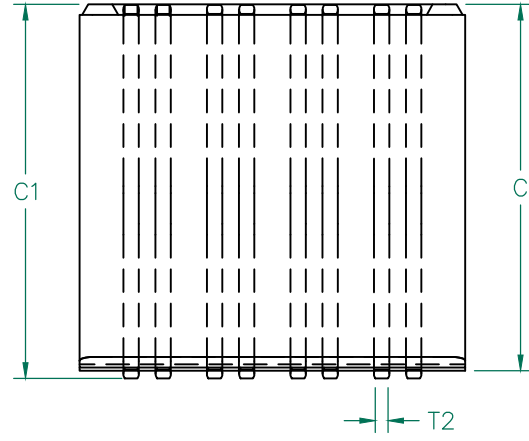
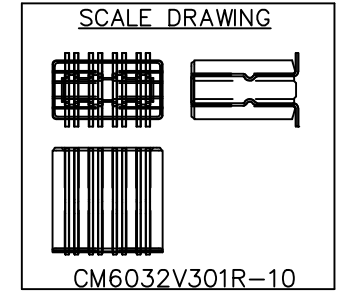
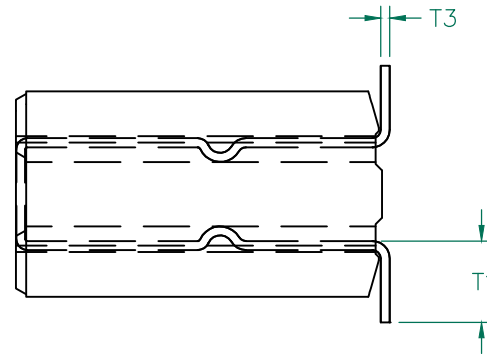
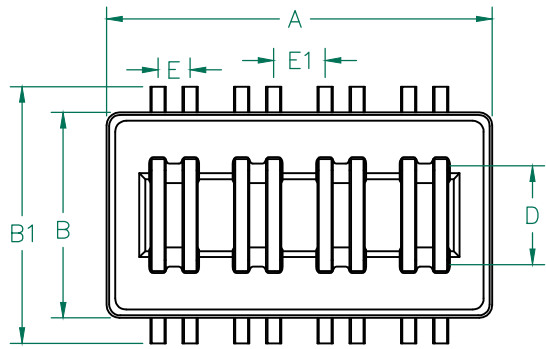
Z, R, XL vs. FREQUENCY



AGILENT E4991A RF Impedance/Material Analyzer
HP 16194A Test Fixture. TEST REF. 3007

DIMENSIONS ARE IN mm [INCHES]

This print is the property of Laird Tech. and is loaned in confidence subject to return upon request and with the understanding that no copies shall be made without the written consent of Laird Tech. All rights to design or invention are reserved.						
E	UPDATE COMPANY LOGO & NOTE 6	08/30/12			JRK	
D	UPDATE COMPANY LOGO & KAPTON LABEL ADD EQUIV. CIRCUIT	11/12/08	JRK	PROJECT/PART NUMBER:	REV	DRAWN BY:
C	UPDATE COMPANY LOGO	01/09/07	JRK	CM6032V301R-10	E	JRK
B	CORRECT REV BLOCK mm [INCHES]	10/20/06	JRK	DATE:	SCALE:	SHEET:
A	ORIGINAL DRAFT	06/11/04	JRK	06/11/04	NTS	
REV	DESCRIPTION	DATE		CAD #	TOOL #	
				CM6032V301R-10-E-1	H0600-200	1 of 2



LAIRD
V301R-10
PAT. NO. 5,455,552

LABEL

0.10 [.004]
SEATING PLANE
(CO-PLANARITY)

ELECTRICAL TESTING

	GROSS	GROSS
TEST:	Z	Z
# TURNS	1	1
AWG	22	22
FREQUENCY	25 MHz	100 MHz
NOMINAL	169 Ω	300 Ω
MINIMUM	- Ω	225 Ω
MAXIMUM	- Ω	375 Ω
WEIGHT/1000	7.62 kgs.	16.8 lbs.

DIMENSIONS:

A	15.24 [.600]	+	0.23 [.009]
B	8.13 [.320]	+	0.13 [.005]
B1	10.92 [.430]		MAX
C	14.48 [.570]	+	0.25 [.010]
C1	15.11 [.595]		MAX
D	4.06 [.160]	+	0.05 [.002]
E	1.27 [.050]	+	0.13 [.005]
E1	2.03 [.080]	+	0.13 [.005]

WIRE DIMENSIONS:

T1	3.30 [.130]	+	0.38 [.015]
T2	0.64 [.025]		TYP.
T3	0.38 [.015]		TYP.



NOTES: UNLESS OTHERWISE SPECIFIED

1. WIRE: REFERENCE STEWARD WIRE PURCHASE SPEC. W0032-31.
2. IMPEDANCE VALUES ARE GROSS, MEASURED USING W0032-31 WIRE PLACED AGAINST END OF SLOT w/ NO D.C. BIAS.
3. REFERENCE STEWARD CORE P/N 24H0600-300.
4. PROTECTED BY U.S. PATENT NO. 5,455,552.
5. THIS PART HAS NO PIN POLARITY.
6. TERMINATION FINISH IS 100% TIN.

DIMENSIONS ARE IN mm [INCHES]				This print is the property of Laird Tech. and is loaned in confidence subject to return upon request and with the understanding that no copies shall be made without the written consent of Laird Tech. All rights to design or invention are reserved.			
E	UPDATE COMPANY LOGO & NOTE 6	08/30/12	QIU	PROJECT/PART NUMBER:		REV	DRAWN BY:
D	UPDATE COMPANY LOGO & KAPTON LABEL ADD EQUIV. CIRCUIT	11/12/08	JRK	CM6032V301R-10		E	JRK
C	UPDATE COMPANY LOGO	01/09/07	JRK	DATE:	06/11/04	SCALE:	NTS
B	CORRECT REV BLOCK mm [INCHES]	10/20/06	JRK	CAD #	CM6032V301R-10-E-2	TOOL #	H0600-200
A	ORIGINAL DRAFT	06/11/04	JRK			SHEET:	
REV	DESCRIPTION	DATE				2 of 2	