

Designated client product

This product will be discontinued its production in the near term.
And it is provided for customers currently in use only, with a time limit.
It can not be available for your new project. Please select other new or existing products.

For more information, please contact our sales office in your region.

New Japan Radio Co.,Ltd.

www.njr.com

3-INPUT VIDEO SWITCH WITH 6dB AMPLIFIER

■ GENERAL DESCRIPTION

The **NJM2246** is three input integrated video switch, which selects one video signal from three input signals.

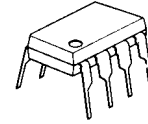
It contains 6dB amplifier and its operating supply voltage range is 4.75 to 13V and bandwidth is 5MHz.

Crosstalk is 65dB (at 4.43MHz).

■ FEATURES

- Operating Voltage 4.75 to 13V
- 3 Input-1 Output
- Internal 6dB Amplifier
- Muting Function available
- Internal Clamp Function
- Cross-talk 65dB (at 4.43MHz)
- Wide Frequency Range 5MHz (1V_{p-p} Input)
- Package Outline DIP8, DMP8, SIP8
- Bipolar Technology

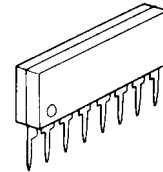
■ PACKAGE OUTLINE



NJM2246D



NJM2246M

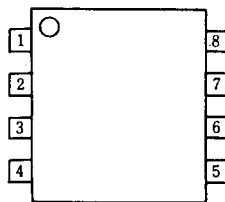


NJM2246L

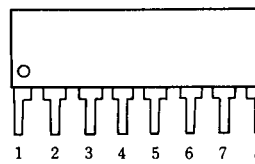
■ APPLICATION

- VCR AV-TV Video Disc Player

■ PIN CONFIGURATION



**NJM2246D
NJM2246M**

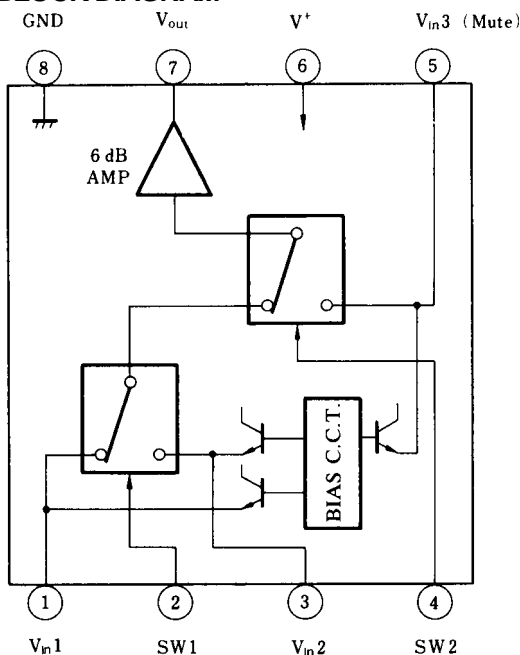


NJM2246L

PIN FUNCTION

1. V_{in1}
2. SW1
3. V_{in2}
4. SW2
5. V_{in3}
6. V⁺
7. V_{out}
8. GND

■ BLOCK DIAGRAM



■ INPUT CONTROL SIGNAL-OUTPUT SIGNAL

SW1	SW2	OUTPUT SIGNAL
L	L	V _{IN1}
H	L	V _{IN2}
L/H	H	V _{IN3}

(note) : Input clamp voltage is about 2/5 of supply voltage.

■ ABSOLUTE MAXIMUM RATINGS

(Ta = 25°C)

PARAMETER	SYMBOL	RATINGS	UNIT
Supply Voltage	V ⁺	15	V
Power Dissipation	P _D	(DIP8) 500 (DMP8) 300 (SIP8) 800	mW mW mW
Operating Temperature Range	T _{opr}	-40 to +85	°C
Storage Temperature Range	T _{stg}	-40 to +125	°C

■ ELECTRICAL CHARACTERISTICS

(V⁺ = 5V, Ta = 25°C)

PARAMETER	SYMBOL	TEST CONDITION	MIN.	TYP.	MAX.	UNIT
Recommended Supply Voltage	V ⁺		4.75	-	13.0	V
Operating Current	I _{CC}	S1=S2=S3=S4=S5=2	9.5	14.0	21.0	mA
Voltage Gain	G _V	V _{in} =1.0V _{P-P} , 1MHz, V _o /V _i , R _L =1kΩ	5.7	6.2	6.7	dB
Frequency Characteristics	G _f	V _{in} =1.0V _{P-P} , V _o (10MHz) / V _o (1MHz) R _L =1kΩ	-1.0	-	+1.0	dB
Differential Gain	DG	V _{in} =1.0V _{P-P} , staircase, R _L =1kΩ	-	0.3	-	%
Differential Phase	DP	V _{in} =1.0V _{P-P} , staircase, R _L =1kΩ	-	0.3	-	deg.
Output Offset Voltage	V _{off}	S1=S2=S3=2, S5=1→2 V _O : voltage change	-	-	±60	mV
Crosstalk	CT	V _{IN} =1.0V _{P-P} , 4.43MHz, V _o / V _i (note2)	-	-65	-	dB
Switch Change Voltage	V _{CH}	All inside SW : ON	2.4	-	-	V
	V _{CL}	All inside SW : OFF	-	-	0.8	V

(note) Unless specified, tested with three mode below.

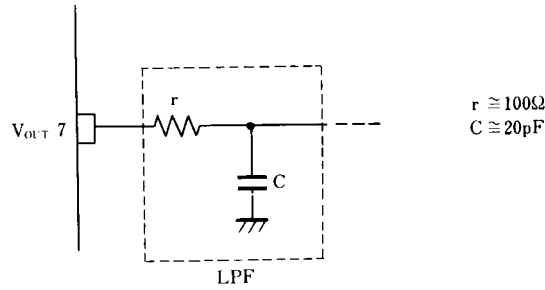
a) S1=1, S2=S3=S4=S5=2 b) S2=S4=1, S1=S3=S5=2 c) S1=S2=2, S3=S5=1, S4=1 or 2

(note2) Tested by the following.

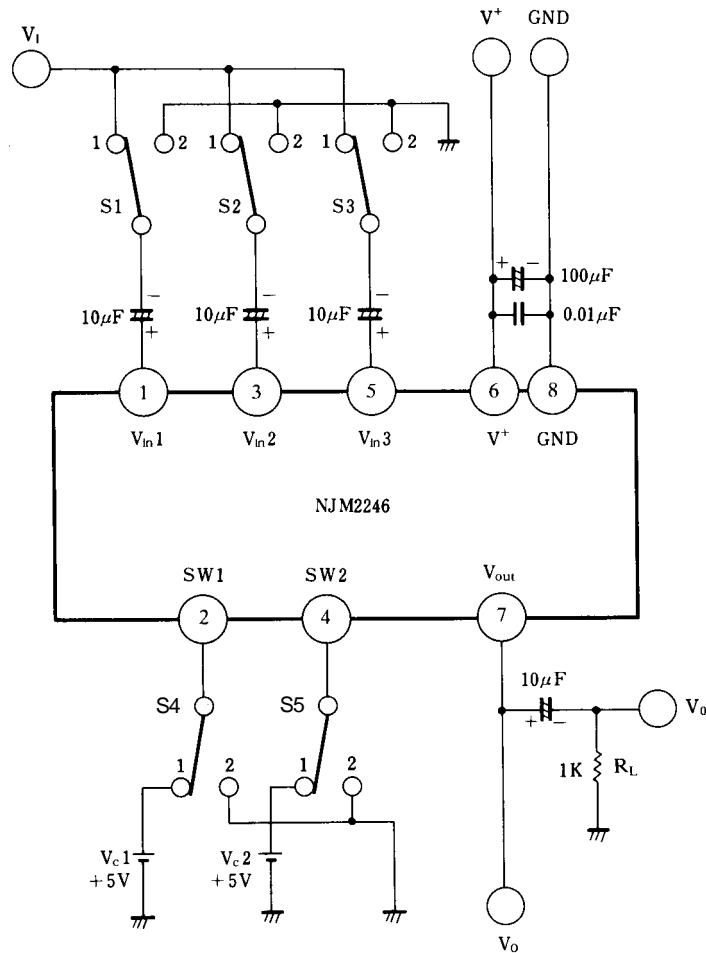
- a) S1=S4=1, S2=S3=2, S5=1 and 2
- b) S2=1, S1=S3=S4=2, S5=1 and 2
- C) S3=1, S1=S2=S5=2, S4=1 and 2

APPLICATION

Oscillation Prevention on light loading conditions Recommended under circuit.



TEST CIRCUIT



DC Voltage Each Terminal
Typ. on Test Circuit $T_a=25^\circ C$

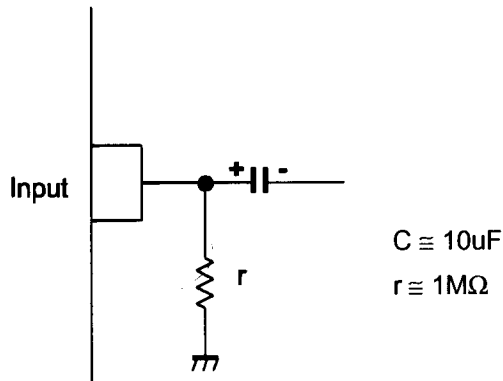
Terminal Name	V_{IN1}	SW1	V_{IN2}	SW2	V_{IN3}	V^+	V_{OUT}	GND
DC Voltage	$\frac{2}{5} V^+$	-	$\frac{2}{5} V^+$	-	$\frac{2}{5} V^+$	-	$\frac{2}{5} V^+ - 0.7$	-

■ EQUIVALENT CIRCUIT

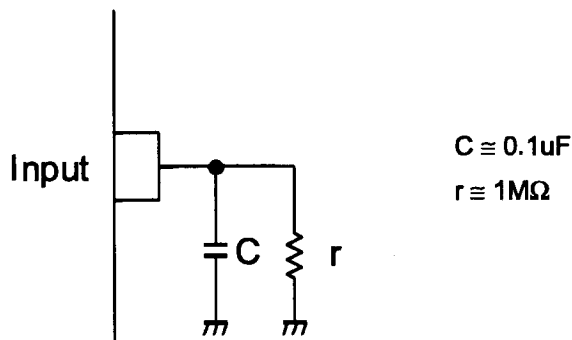
PIN NO.	PIN FUNCTION	INSIDE EQUIVALENT CIRCUIT	PIN NO.	PIN FUNCTION	INSIDE EQUIVALENT CIRCUIT
1	V _{IN1}		5	V _{IN3} (Mute)	
2	SW1		6	V+	
3	V _{IN2}		7	V _{OUT}	
4	SW2		8	GND	

■ APPLICATION

This IC requires $1\text{M}\Omega$ resistance between INPUT and GND pin for clamp type input since the minute current causes an unstable pin voltage.



This IC requires $0.1\mu\text{F}$ capacitor between INPUT and GND, $1\text{M}\Omega$ resistance between INPUT and GND for clamp type input at mute mode.



[CAUTION]

The specifications on this databook are only given for information, without any guarantee as regards either mistakes or omissions. The application circuits in this databook are described only to show representative usages of the product and not intended for the guarantee or permission of any right including the industrial rights.