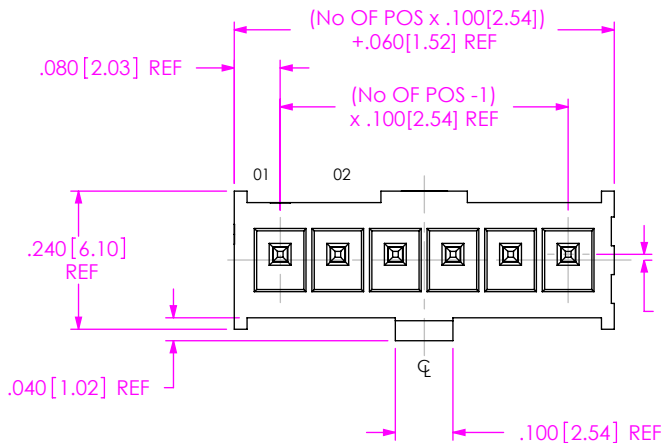


IPL1-1XX-XX-XXX-S-XX-X-XX



No OF POSITIONS  
-02 THRU -25

LEAD STYLE

- 01: THROUGH HOLE (USE T-1S64-XX-XX)
- 02: SURFACE MOUNT (SEE FIG. 2, SHT 2) (USE T-1S64-XX-XX)

PACKAGING

- BLANK: TUBES (SEE NOTE 12)
- TR: TAPE & REEL (SEE NOTES 12 & 13) (AVAILABLE WITH -02 LEAD STYLE ONLY) (MUST USE K-DOT-.177-.281-.005) (SEE FIG 5, SHT 3)
- FR: FULL REEL QTY. TAPE & REEL (SEE NOTES 12 & 13) (AVAILABLE WITH -02 LEAD STYLE ONLY) (MUST USE K-DOT-.177-.281-.005)

POLARIZATION OPTION

- K: KEYED POLARIZATION (USE IPL1-XX-S-K) (SEE FIG 4, SHEET 3) (LEAVE BLANK FOR NO POLARIZATION, SAMTEC WILL ONLY SUPPORT EXISTING BUSINESS AS OF REV J)

OPTION

- RA: RIGHT ANGLE (SEE FIG 3, SHT 3) (AVAILABLE WITH -01 LEAD STYLE ONLY)

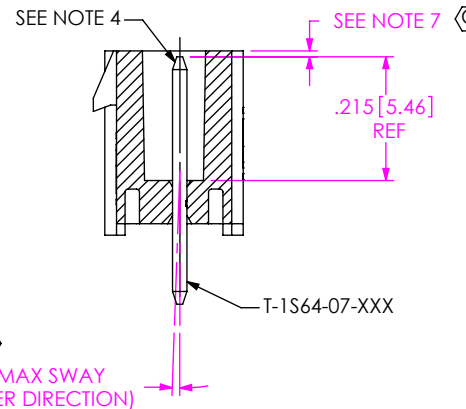
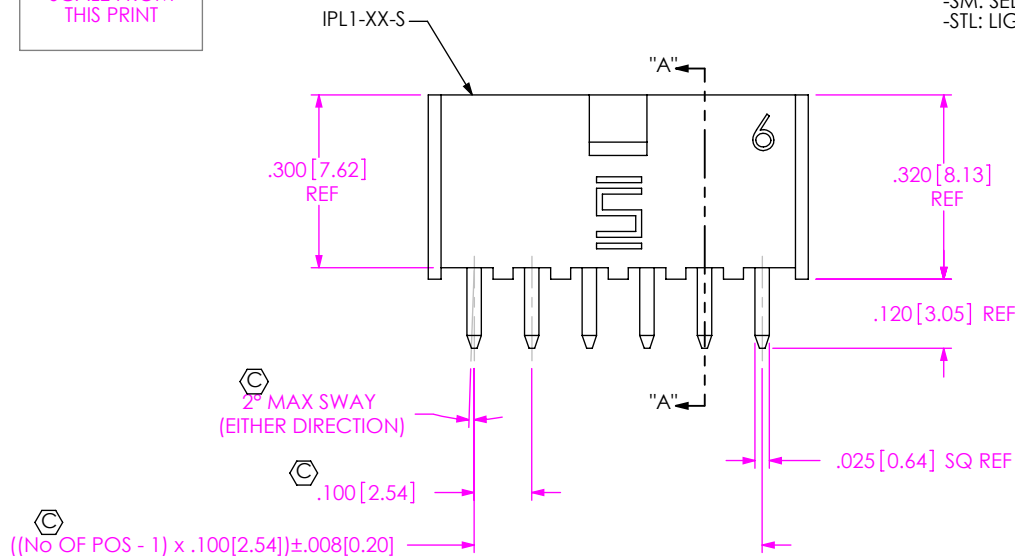
ROW SPECIFICATION

- S: SINGLE (USE IPL1-XX-S)

PLATING SPECIFICATION

- F: FLASH SELECTIVE (USE T-1S64-XX-F)
- L: LIGHT SELECTIVE (USE T-1S64-XX-L)
- S: SELECTIVE (USE T-1S64-XX-S)
- H: HEAVY GOLD (USE T-1S64-XX-H)
- FM: FLASH SELECTIVE/MATTE TIN TAILS (USE T-1S64-XX-F)
- LM: LIGHT SELECTIVE/MATTE TIN TAILS (USE T-1S64-XX-L)
- SM: SELECTIVE/MATTE TIN TAILS (USE T-1S64-XX-S)
- STL: LIGHT SELECTIVE TIN/LEAD (USE T-1S64-XX-STL)

DO NOT SCALE FROM THIS PRINT



SECTION "A"-"A"

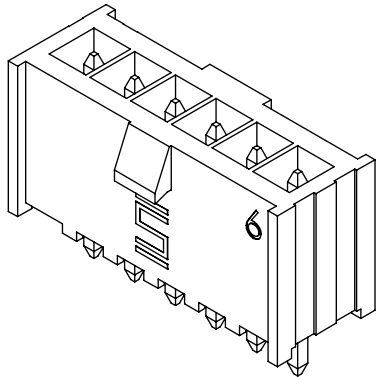


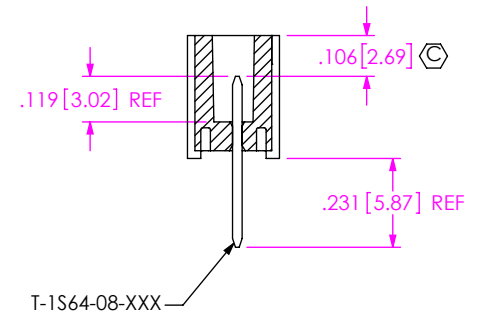
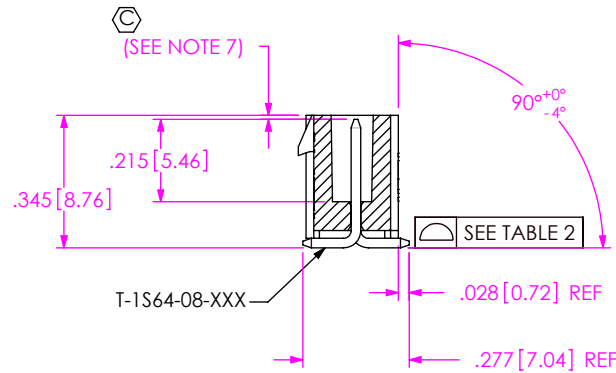
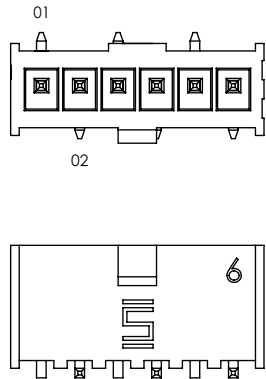
FIG 1  
IPL1-106-01-XXX-S SHOWN

NOTES:

1. REPRESENTS A CRITICAL DIMENSION.
2. MINIMUM TERMINAL RETENTION: 1 LB [4.45 N].
3. PARTS TO BE MOLDED TO POSITION.
4. POST MUST BE WITHIN .005[0.13] OF EACH OTHER.
5. ALL PIN TO PIN DIMENSIONS TO BE MEASURED FROM TIP TO TIP.
6. DIMENSION TO BE MEASURED AT BEND.
7. TIP TO BE FLUSH TO .015[0.38] BELOW TOP OF SHROUD.
8. NOTE DELETED.
9. PACKAGE ALL POSITIONS.
10. NOTE DELETED.
11. NOTE DELETED.
12. ORDERS WILL BE PACKAGED ACCORDING TO THE SAMTEC PACKAGING EFFICIENCY STANDARDS (SPES) FOUND ON WWW.SAMTEC.COM
13. ATTACH LABEL-4X2 TO EACH REEL.

LEAD STYLE	OPTION	TERMINAL 1	OAL REF	-TR
-01	NONE	T-1S64-07-XX	.430[10.92]	N/A
-01	-RA	T-1S64-19-XX	.545[13.84]	N/A
-02	NONE	T-1S64-08-XX	.445[11.30]	K-DOT-.177-.281-.005

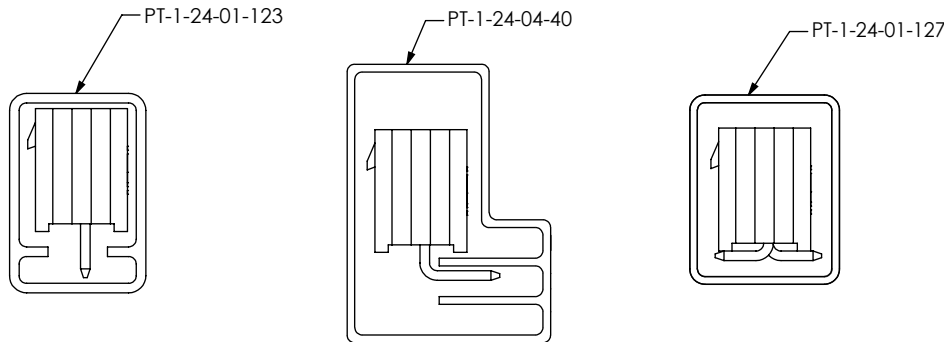
<p>CPC THIS SHEET</p> <p>C1, C2, C3, C4, C5</p>	<p>UNLESS OTHERWISE SPECIFIED, DIMENSIONS ARE IN INCHES.</p> <p>TOLERANCES ARE:</p> <p>DECIMALS                      ANGLES</p> <p>.XX: ±.01[0.3]                      ± 2°</p> <p>.XXX: ±.005[0.13]</p> <p>.XXXX: ±.0020[0.051]</p>	<p>PROPRIETARY NOTE</p> <p>THIS DOCUMENT CONTAINS CONFIDENTIAL AND PROPRIETARY INFORMATION AND ALL DESIGN, MANUFACTURING, REPRODUCTION, USE, PATENT RIGHTS AND SALES RIGHTS ARE EXPRESSLY RESERVED BY SAMTEC, INC. THIS DOCUMENT SHALL NOT BE DISCLOSED, IN WHOLE OR PART, TO ANY UNAUTHORIZED PERSON OR ENTITY NOR REPRODUCED, TRANSFERRED OR INCORPORATED IN ANY OTHER PROJECT IN ANY MANNER WITHOUT THE EXPRESS WRITTEN CONSENT OF SAMTEC, INC.</p>	<p>520 PARK EAST BLVD, NEW ALBANY, IN 47150                  PHONE: 812-944-6733    FAX: 812-948-5047                  e-Mail: info@SAMTEC.com    code 55322</p>
	<p>MATERIAL:                      DO NOT SCALE DRAWING                      SHEET SCALE: 3:1</p> <p>STANDARD INSULATOR: LCP UL94-V0, COLOR: BLACK                  -K INSULATOR: LCP UL94-V0, COLOR: NATURAL                  TERMINAL: PHOS BRONZE</p>	<p>DESCRIPTION:</p> <p>.100[2.54] SINGLE ROW TERMINAL ASSEMBLY</p>	
	<p>F:\DWG\MISC\MKTG\IPL1-1XX-XX-XXX-S-XX-X-XX-MKT.SLDDRW</p>	<p>DWG. NO.</p> <p>IPL1-1XX-XX-XXX-S-XX-X-XX</p> <p>BY: D PURVIS    05/02/2005    SHEET 1 OF 3</p>	



-02: SURFACE MOUNT IN-PROCESS 1

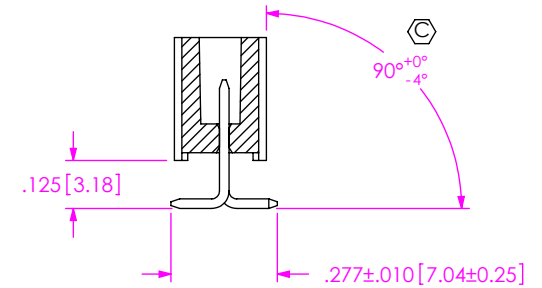
TABLE 2	
No OF POS.	COPLANARITY
-02 THRU -05	.004[0.10]
-06 THRU -10	.005[0.13]

FIG 2  
STYLE -02: SURFACE MOUNT  
IPL1-106-02-XXX-S SHOWN  
[DIFFERENT AS SHOWN, OTHERWISE SAME AS FIG 1]



PACKAGING TABLE			
LEAD STYLE	OPTION	PACKAGING TUBE	PLUG
-01	NONE	PT-1-24-01-123	TP-07
-01	-RA	PT-1-24-04-40	TP-07
-02	NONE	PT-1-24-01-127	TP-07

PACKAGING VIEWS  
(PARTS TO HAVE POSITION #1 LOADED  
IN SAME DIRECTION AS ARROW ON TUBE)



-02: SURFACE MOUNT IN-PROCESS 2

F:\DWG\MISC\MKTG\IPL1-1XX-XX-XXX-S-XX-X-XX-MKT.SLDDRW

CPC  
THIS SHEET

**PROPRIETARY NOTE**  
THIS DOCUMENT CONTAINS CONFIDENTIAL AND PROPRIETARY INFORMATION AND ALL DESIGN, MANUFACTURING, REPRODUCTION, USE, PATENT RIGHTS AND SALES RIGHTS ARE EXPRESSLY RESERVED BY SAMTEC, INC. THIS DOCUMENT SHALL NOT BE DISCLOSED, IN WHOLE OR PART, TO ANY UNAUTHORIZED PERSON OR ENTITY NOR REPRODUCED, TRANSFERRED OR INCORPORATED IN ANY OTHER PROJECT IN ANY MANNER WITHOUT THE EXPRESS WRITTEN CONSENT OF SAMTEC, INC.

DO NOT SCALE DRAWING

SHEET SCALE: 2:1

**samtec**

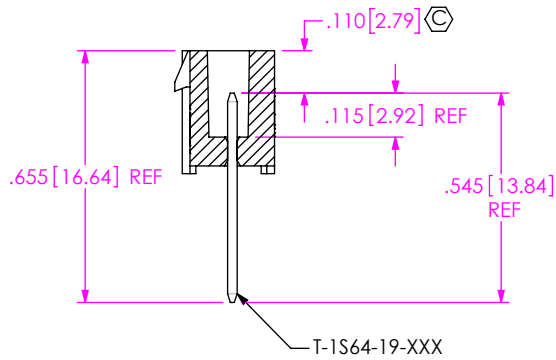
520 PARK EAST BLVD, NEW ALBANY, IN 47150  
PHONE: 812-944-6733 FAX: 812-948-5047  
e-Mail info@SAMTEC.com code 55322

DESCRIPTION:  
.100[2.54] SINGLE ROW TERMINAL ASSEMBLY

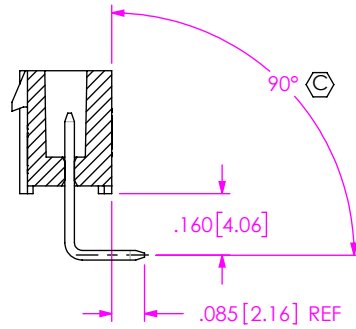
DWG. NO.  
IPL1-1XX-XX-XXX-S-XX-X-XX

BY: D PURVIS 05/02/2005 SHEET 2 OF 3

C6, C7, C10



-RA: IN-PROCESS 1



-RA: IN-PROCESS 2

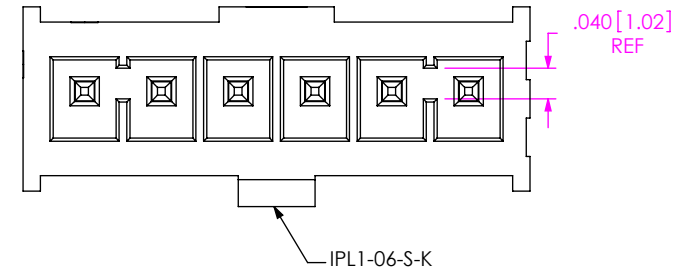


FIG 4  
-K: KEYED POLARIZATION  
(IPL1-106-01-XXX-S-K SHOWN)  
(SAME AS FIG 1 UNLESS OTHERWISE STATED)

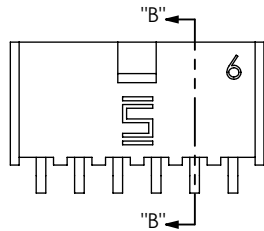
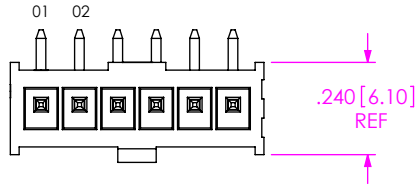


FIG 3  
-RA: RIGHT ANGLE  
IPL1-106-01-XXX-S-RA SHOWN  
[DIFFERENT AS SHOWN, OTHERWISE SAME AS FIG 1]

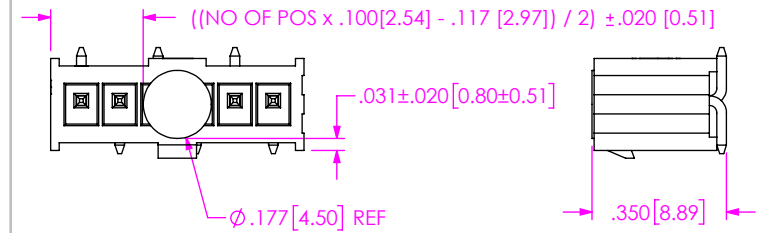
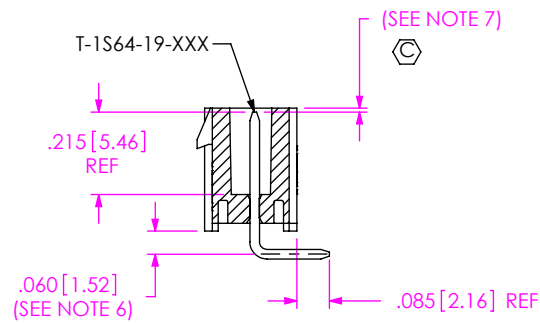


FIG 5  
(IPL1-106-02-XXX-S-TR SHOWN)  
(MUST USE K-DOT-.177-.281-.005)  
(SAME AS FIG 2 UNLESS OTHERWISE STATED)  
SECTION B-B

CPC  
THIS SHEET

C8, C9, C11

**PROPRIETARY NOTE**  
THIS DOCUMENT CONTAINS CONFIDENTIAL AND PROPRIETARY INFORMATION AND ALL DESIGN, MANUFACTURING, REPRODUCTION, USE, PATENT RIGHTS AND SALES RIGHTS ARE EXPRESSLY RESERVED BY SAMTEC, INC. THIS DOCUMENT SHALL NOT BE DISCLOSED, IN WHOLE OR PART, TO ANY UNAUTHORIZED PERSON OR ENTITY NOR REPRODUCED, TRANSFERRED OR INCORPORATED IN ANY OTHER PROJECT IN ANY MANNER WITHOUT THE EXPRESS WRITTEN CONSENT OF SAMTEC, INC.

DO NOT SCALE DRAWING

SHEET SCALE: 2:1



520 PARK EAST BLVD, NEW ALBANY, IN 47150  
PHONE: 812-944-6733 FAX: 812-948-5047  
e-Mail info@SAMTEC.com code 55322

DESCRIPTION:  
.100 [2.54] SINGLE ROW TERMINAL ASSEMBLY

DWG. NO.  
IPL1-1XX-XX-XXX-S-XX-X-XX

BY: D PURVIS 05/02/2005 SHEET 3 OF 3