

C3216X7T2E224M160AE

TDK Item Description : C3216X7T2E224MT***S

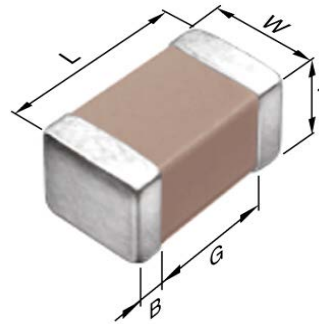


Application & Main Feature

Commercial Grade (Soft Termination)

Series

C3216 [EIA CC1206]



Dimensions

L	3.20mm +0.4,-0.2mm
W	1.60mm +0.3,-0.2mm
T	1.60mm +0.3,-0.2mm
B	0.20mm Min.
G	1.00mm Min.

Temperature Characteristic

X7T (-55 to 125 degC +22,-33%)

Rated Voltage

2E (250Vdc)

Capacitance

220nF

Capacitance Tolerance

M (+/-20%)

Dissipation Factor

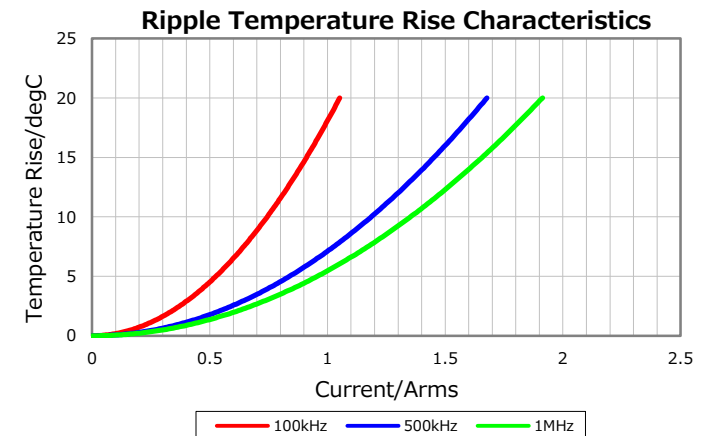
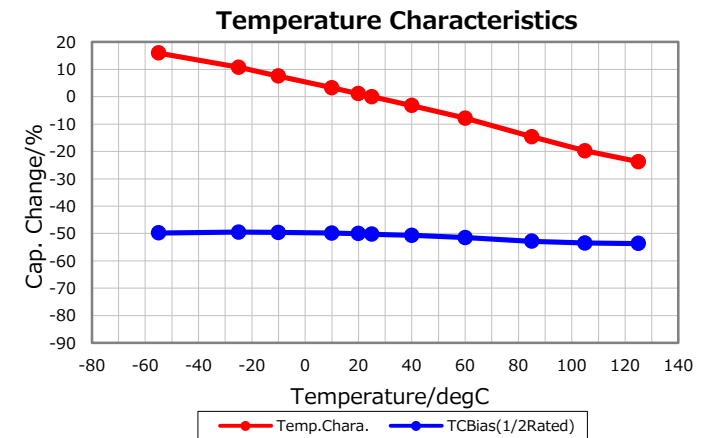
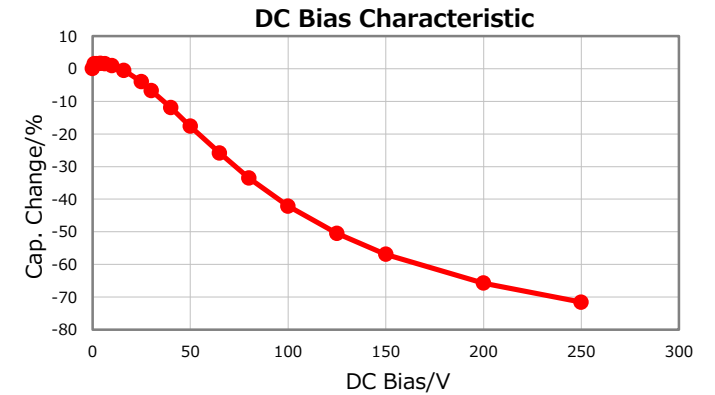
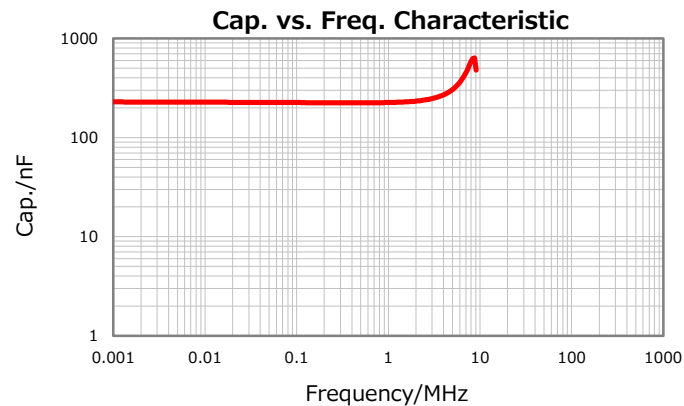
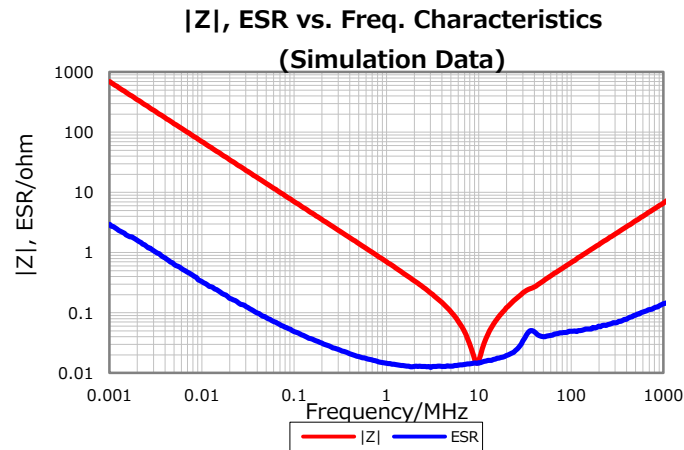
2.5% Max.

Insulation Resistance

2.272Gohm Min

AEC-Q200

Not Applicable



Characterization Sheet (Multilayer Ceramic Chip Capacitors)



All specifications are subject to change without notice.

March 16, 2017