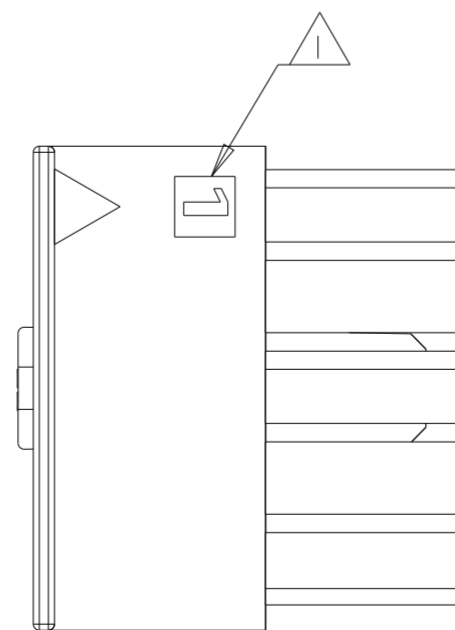
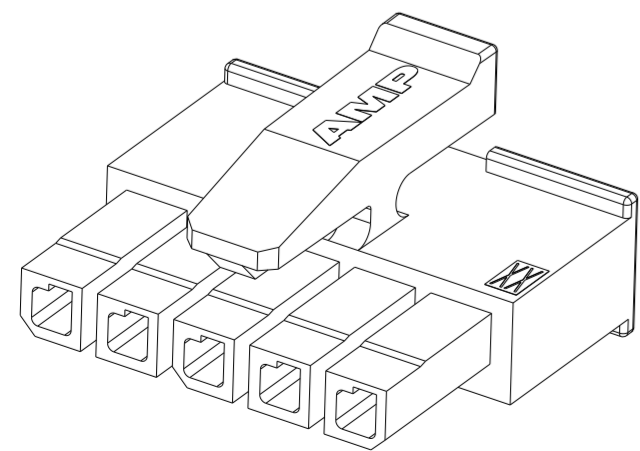
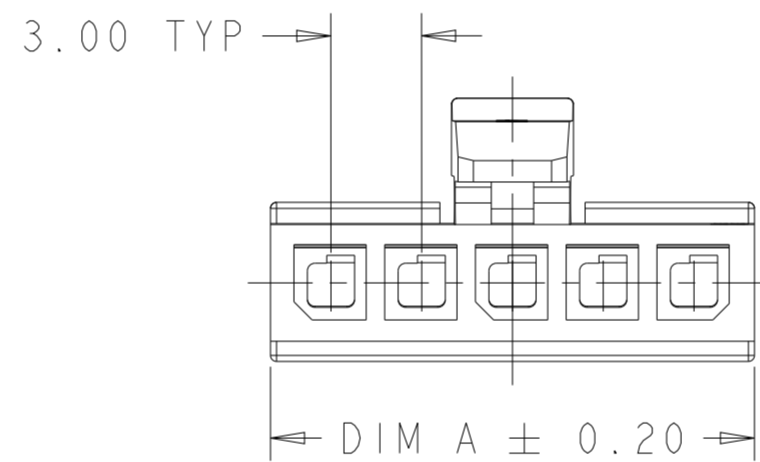
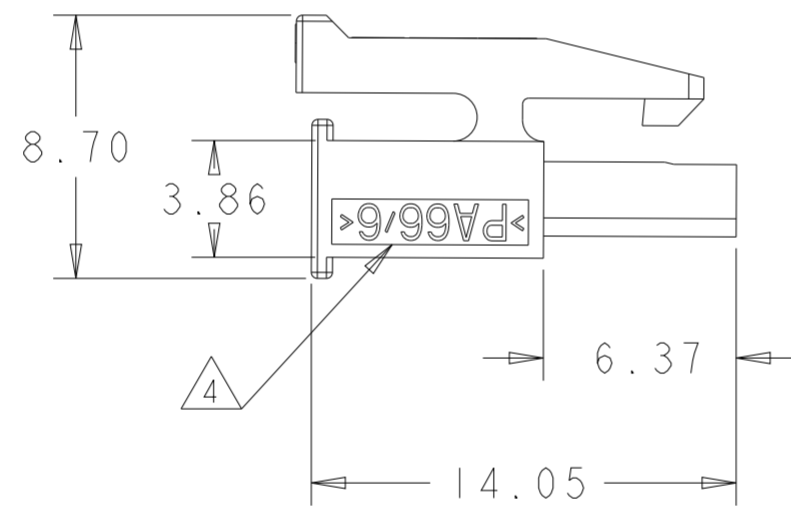
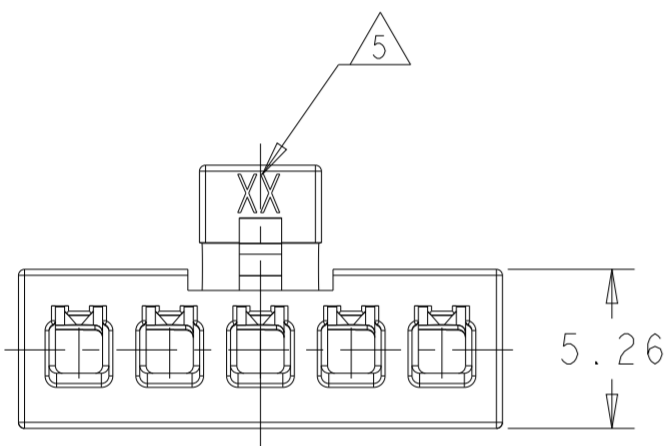
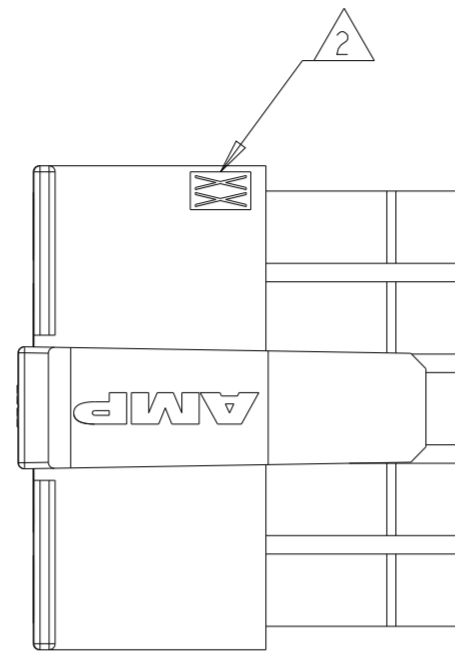


REVISIONS

P	LTR	DESCRIPTION	DATE	DWN	APVD
D4		REVISED PER ECO-19-01884	12DEC2019	WLS	DZ
D5		REVISED PER ECN-21-107394	01JUL2021	WLS	VS
D6		REVISED PER ECN-23-210752	09MAY2023	WLS	VS

- ① CIRCUIT 1 IDENTIFIER, LOCATED APPROXIMATELY AS SHOWN.
- ② LAST CIRCUIT IDENTIFIER, LOCATED APPROXIMATELY AS SHOWN.
- ③ MATERIAL PA66/6 UL94-V0.
- ④ MATERIAL ID ">PA<" LOCATED IN APPROX AREA SHOWN, APPROX 0.01 HIGH.
- ⑤ CAVITY NUMBER IDENTIFICATION.
- 6 COUNTERPART RECOMMENDED IS PN 1445048 OR 1445049 OR ANY HEADER ASSEMBLY SINGLE ROW OF THIS PRODUCT LINE (DASH ACC. TO NUMBER OF POSITION).
- 7 TERMINAL USED WITH THIS CONNECTOR CAN BE 794606 OR 794607 OR LOOSE PIECE TERMINALS MAKE FROM THEM OR OTHER APPROVED BY PRODUCT ENGINEERING (TERMINAL PN DEFINED ACC. TO WIRE SIZE AND DASH NUMBER ACC. TO FINISHING).

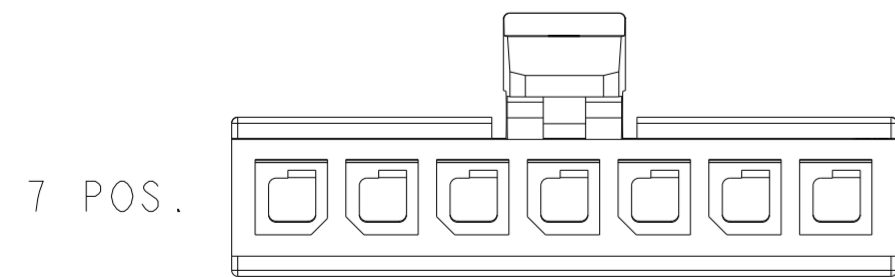
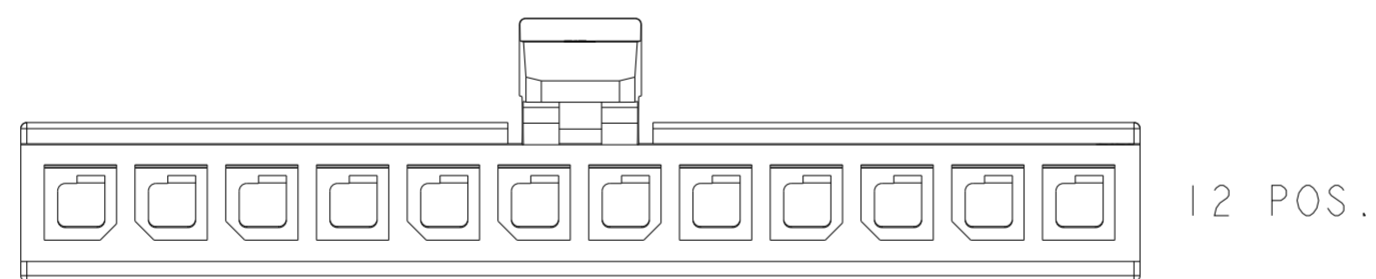
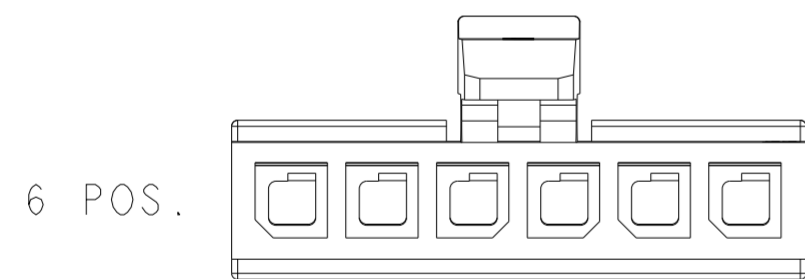
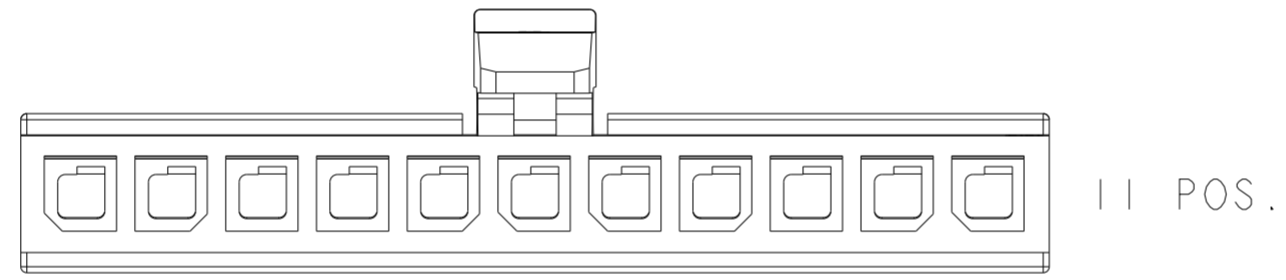
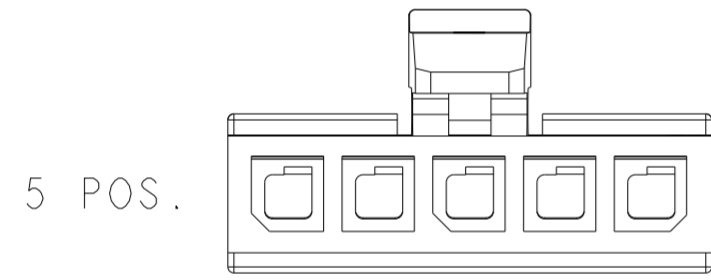
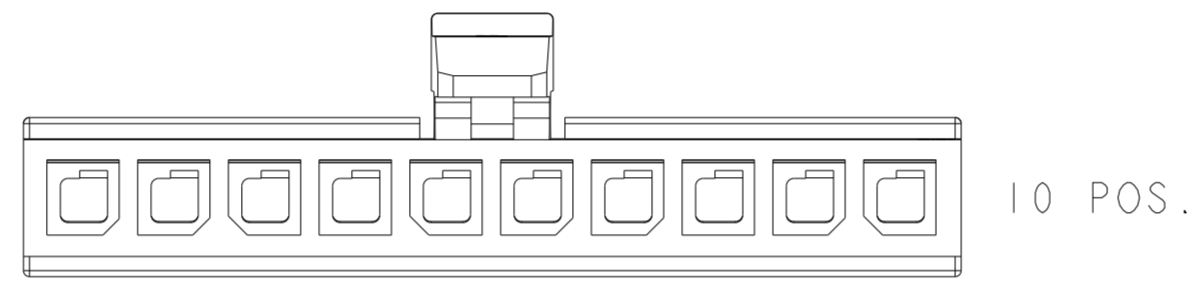
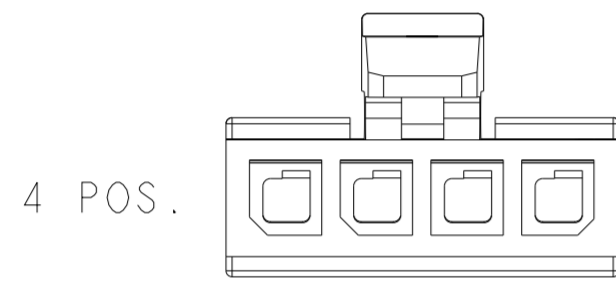
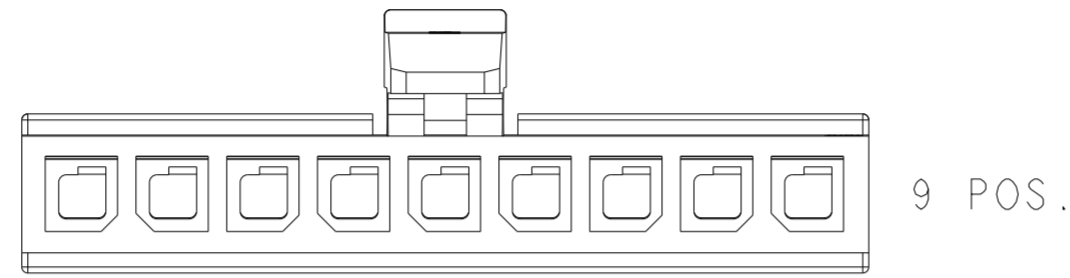
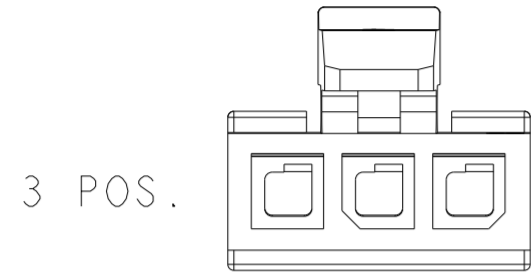
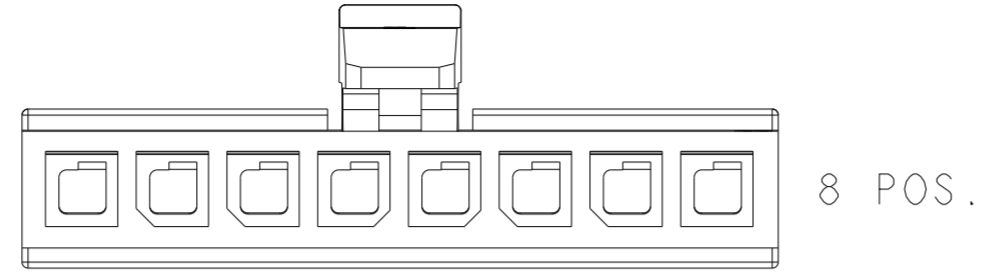
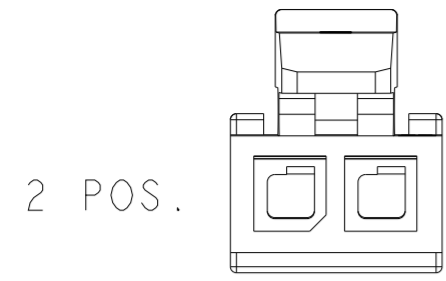


37.00	12	1-1445022-2
34.00	11	1-1445022-1
31.00	10	1-1445022-0
28.00	9	1445022-9
25.00	8	1445022-8
22.00	7	1445022-7
19.00	6	1445022-6
16.00	5	1445022-5
13.00	4	1445022-4
10.00	3	1445022-3
7.00	2	1445022-2
DIM A	NO. OF POS.	PART NO.

THIS DRAWING IS A CONTROLLED DOCUMENT.

DIMENSIONS: mm 	TOLERANCES UNLESS OTHERWISE SPECIFIED: 0 PLC ± 1 PLC ± 2 PLC ±0.26 3 PLC ± 4 PLC ± ANGLES ±° FINISH	DWN K. WHITAKER 14AUG2001	TE Connectivity	NAME RECEPTACLE HOUSING, 2 TO 12 POSITION, SINGLE ROW, MICRO MATE-L-LOK(TM)
		CHK C. JONES 14AUG2001		
MATERIAL ③	BLACK	PRODUCT SPEC 108-1836	SIZE A2	RESTRICTED TO
		APPLICATION SPEC 114-13000	CAGE CODE 00779	DRAWING NO C-1445022
		WEIGHT -	SCALE 4:1	SHEET 1 OF 2
		CUSTOMER DRAWING		REV D6

P	LTR	DESCRIPTION	DATE	DWN	APVD
-	-	SEE SHEET 1	-	-	-



KEYING BY POSITION SIZE

THIS DRAWING IS A CONTROLLED DOCUMENT.		DWN K. WHITAKER 14AUG2001	TE Connectivity	
DIMENSIONS: mm		CHK C. JONES 14AUG2001		
TOLERANCES UNLESS OTHERWISE SPECIFIED:		APVD C. JONES 14AUG2001	NAME RECEPTACLE HOUSING, 2 TO 12 POSITION, SINGLE ROW, MICRO MATE-L-LOK(TM)	
		PRODUCT SPEC 108-1836	SIZE A2	CAGE CODE 00779
MATERIAL -		APPLICATION SPEC 114-13000	DRAWING NO C-1445022	RESTRICTED TO -
FINISH -		WEIGHT -	SCALE 4:1	SHEET 2 OF 2
		CUSTOMER DRAWING	REV D6	