



4

3

2

1

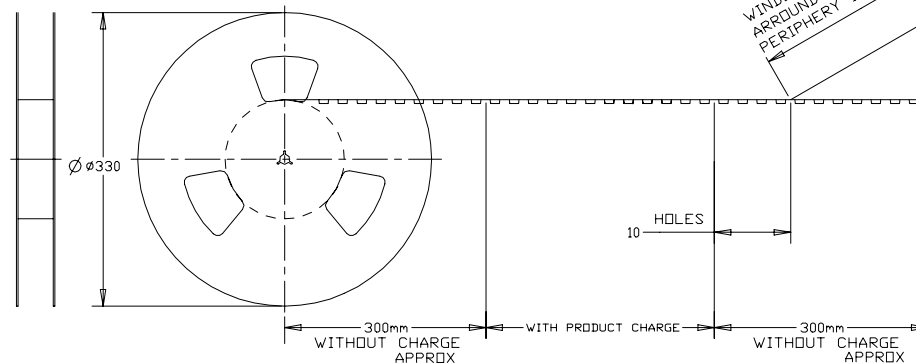
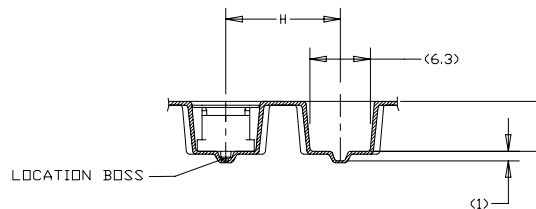
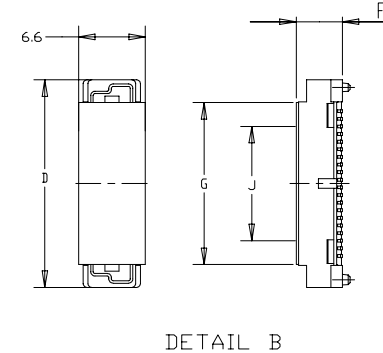
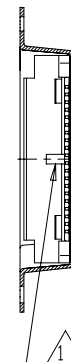
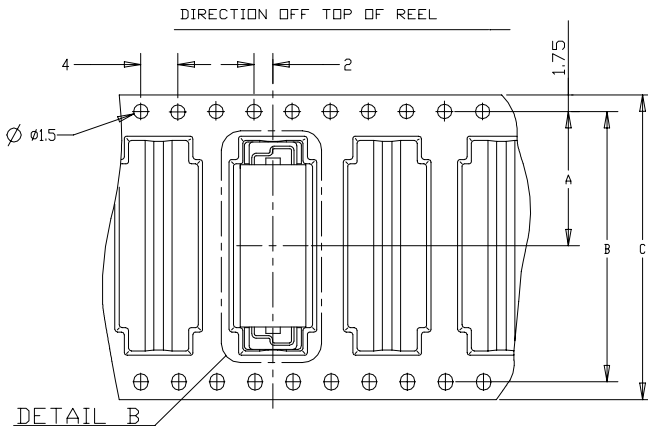
© - TE Connectivity. All Rights Reserved.

LOW HALOGEN

Notes:

6 0.0002 MIN GOLD PLATING  
(7.8u INCHES GOLD PLATING)

REVISIONS					
P	LTR	DESCRIPTION	DATE	DWN	APVD
-	-	SEE SHEET 1	-	-	-



WINDING THE COVER TAPE  
AROUND THE OUTER  
PERIPHERY IN A TURN.

POLYIMIDE COVER

800	6H	2.6	5.6	12	12	17	5.85	6.25	37.8	56	52.4	26.2	80	9-5177986-3	
650	5H	1.2	4.6	12	16	17	4.85	5.25	61.8	88	84.4	42.2	140	9-5177986-6	
REMARKS	QTY	WEIGHT TYPE	Y	X	J	H	G	F	E	D	C	B	A	POS	SALEABLE PART NO.

1471-9 (1/15)

THIS DRAWING IS A CONTROLLED DOCUMENT.		DWN: FLORENCE TAN CHK: ERIC TING	30AUG2004 30MAY2012	TE Connectivity Ltd.	
DIMENSIONS: mm		APVD: SF LEONG 30MAY2012		NAME: PLUG ASSEMBLY, FH 0.8 ON TAPING (EMBOSS) 0.5 BOSS LENGTH	
TOLERANCES UNLESS OTHERWISE SPECIFIED:		PRODUCT SPEC: 108-5390		SIZE: A2	
MATERIAL: SEE NOTE		FINISH: SEE NOTE		CAGE CODE: 00779	
0 PLC ± -		1 PLC ± 0.2		DRAWING NO: C=5177986	
1 PLC ± 0.15		2 PLC ± 0.1		RESTRICTED TO: -	
2 PLC ± 0.1		3 PLC ± -		WEIGHT: -	
3 PLC ± -		4 PLC ± -		SCALE: 1:1	
ANGLES: ± 3'		CUSTOMER DRAWING		SHEET: 2 of 4	
REV: F7		REV: F7		REV: F7	

5177986

4

3

2

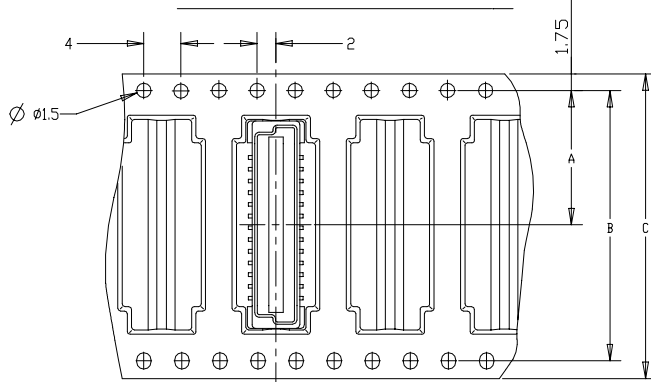
1

© - TE Connectivity. All Rights Reserved.

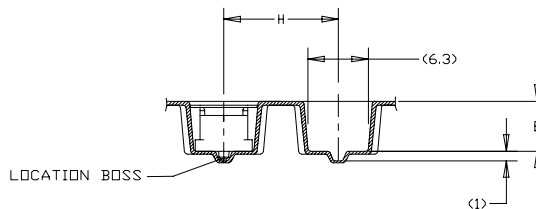
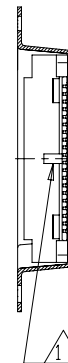
LOW HALOGEN

Notes:  
△ 0.00038 MIN GOLD PLATING  
(15μ INCHES GOLD PLATING)

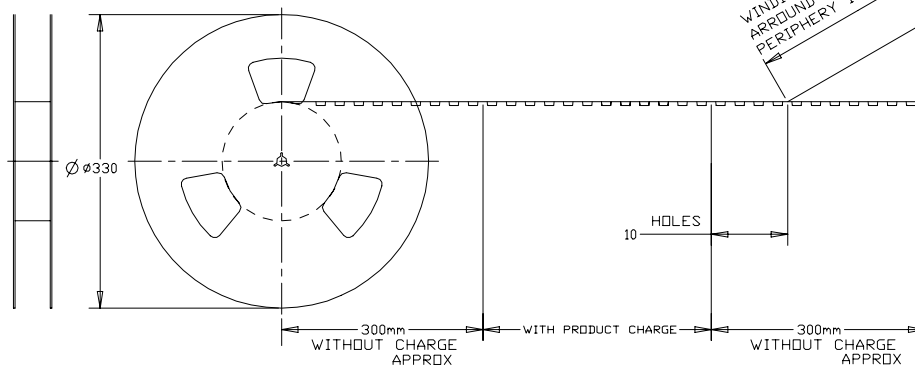
DIRECTION OFF TOP OF REEL



REVISIONS					
P	LTR	DESCRIPTION	DATE	DWN	APVD
-	-	SEE SHEET 1	-	-	-



WINDING THE COVER TAPE  
AROUND THE OUTER  
PERIPHERY IN A TURN.



WITHOUT COVER

△	650	5H	1.2	4.6	16	5.25	88	84.4	42.2	160	8-5177986-8
	650	5H	1.2	4.6	16	5.25	72	68.4	34.2	120	8-5177986-5
REMARKS	QTY	WEIGHT TYPE	Y	X	H	E	C	B	A	POS	SALEABLE PART NO.

1471-9 (1/15)

THIS DRAWING IS A CONTROLLED DOCUMENT.

DWN: FLORENCE TAN CHK: ERIC TING	30AUG2004 30MAY2012	<b>STE</b> TE Connectivity Ltd.																						
DIMENSIONS: mm		TOLERANCES UNLESS OTHERWISE SPECIFIED:																						
<table border="1"> <tr><td>0 PLC</td><td>±</td><td>-</td></tr> <tr><td>1 PLC</td><td>±</td><td>0.2</td></tr> <tr><td>2 PLC</td><td>±</td><td>0.15</td></tr> <tr><td>3 PLC</td><td>±</td><td>0.1</td></tr> <tr><td>4 PLC</td><td>±</td><td>-</td></tr> <tr><td>ANGLES</td><td>±</td><td>3°</td></tr> <tr><td>FINISH</td><td></td><td></td></tr> </table>		0 PLC	±	-	1 PLC	±	0.2	2 PLC	±	0.15	3 PLC	±	0.1	4 PLC	±	-	ANGLES	±	3°	FINISH			APVD: SF LEONG PRODUCT SPEC: 108-5390 APPLICATION SPEC: - MATERIAL: SEE NOTE FINISH: SEE NOTE	
0 PLC	±	-																						
1 PLC	±	0.2																						
2 PLC	±	0.15																						
3 PLC	±	0.1																						
4 PLC	±	-																						
ANGLES	±	3°																						
FINISH																								
MATERIAL: SEE NOTE		FINISH: SEE NOTE																						
DWN: FLORENCE TAN		NAME: SF LEONG																						
CHK: ERIC TING		APVD: SF LEONG																						
PRODUCT SPEC: 108-5390		APPLICATION SPEC: -																						
MATERIAL: SEE NOTE		FINISH: SEE NOTE																						
WEIGHT: -		SIZE: A2																						
CUSTOMER DRAWING		CAGE CODE: 00779																						
SCALE: 1:1		DRAWING NO: C=5177986																						
SHEET: 3 of 4		RESTRICTED TO: -																						
REV: F7																								

5177986

4

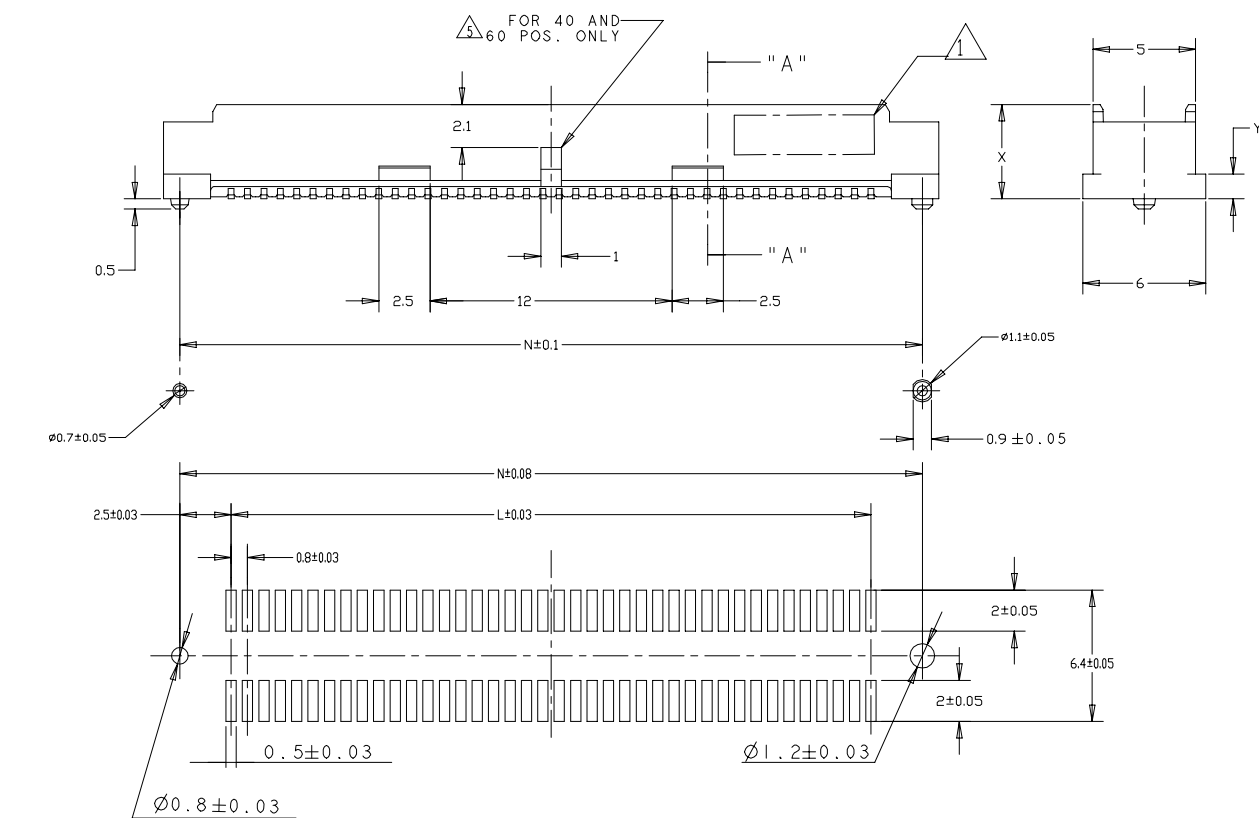
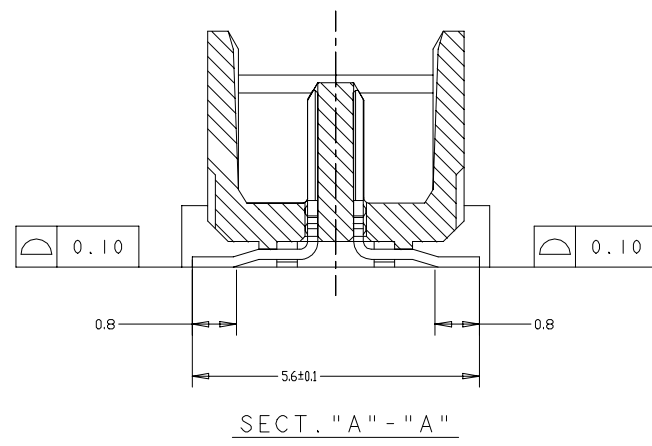
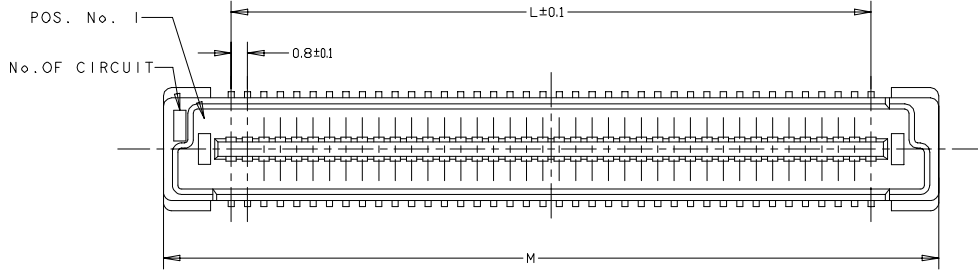
3

2

1

© - TE Connectivity. All Rights Reserved.

REVISIONS					
P	LTR	DESCRIPTION	DATE	DWN	APVD
-	-	SEE SHEET 1	-	-	-



RECOMMENDED P.C. BOARD LAYOUT

LOW HALOGEN

CONNECTOR ONLY

84.2	85.8	79.2	200
76.2	77.8	71.2	180
68.2	69.8	63.2	160
60.2	61.8	55.2	140
52.2	53.8	47.2	120
44.2	45.8	39.2	100
36.2	37.8	31.2	80
28.2	29.8	23.2	60
20.2	21.8	15.2	40
N	M	L	POS.

THIS DRAWING IS A CONTROLLED DOCUMENT.		DWN: FLORENCE TAN 30AUG2004	<b>STE</b> TE Connectivity Ltd.																					
		CHK: ERIC TING 30MAY2012																						
DIMENSIONS: mm	TOLERANCES UNLESS OTHERWISE SPECIFIED:	APVD: SF LEONG 30MAY2012	NAME: PLUG ASSEMBLY, FH 0.8 ON TAPING (EMBOSS) 0.5 BOSS LENGTH																					
<table border="1"> <tr><td>0</td><td>PLC</td><td>±</td><td>-</td></tr> <tr><td>1</td><td>PLC</td><td>±</td><td>0.2</td></tr> <tr><td>2</td><td>PLC</td><td>±</td><td>0.15</td></tr> <tr><td>3</td><td>PLC</td><td>±</td><td>0.1</td></tr> <tr><td>4</td><td>PLC</td><td>±</td><td>-</td></tr> </table>		0	PLC	±	-	1	PLC	±	0.2	2	PLC	±	0.15	3	PLC	±	0.1	4	PLC	±	-	PRODUCT SPEC: 108-5390	SIZE: A2	
0	PLC	±	-																					
1	PLC	±	0.2																					
2	PLC	±	0.15																					
3	PLC	±	0.1																					
4	PLC	±	-																					
MATERIAL: SEE NOTE	ANGLES: ± 3°	FINISH: SEE NOTE	CAGE CODE: 00779	DRAWING NO: C=5177986																				
		WEIGHT: -	RESTRICTED TO: -	SCALE: 1:1																				
		CUSTOMER DRAWING	SHEET: 4 of 4	REV: F7																				