

# Amphenol Taiwan Corporation Product Change Notification

<b>Part Numbers Concerned :</b>	GSB4111312HR;GSB4111313HR	<b>Originator:</b>	Debby Hung
<b>Customer P/N:</b>		<b>Issue Date:</b>	2021/07/13
<b>Product Description:</b>	USB 3.1 CONNECTOR STANDARD A R/A DIP TYPE R/A DIP TYPE	<b>PCN NO:</b>	1210-21001170
<b>Distribution:</b>			

## Product Change Notice

### Background:

Tooling now is too old, and almost broken, and hard to keep manufacturing components. Amphenol has been duplicated the new tooling, and improved the design and material change. Part numbers in customer side won't be changed anything.

Design changes including:

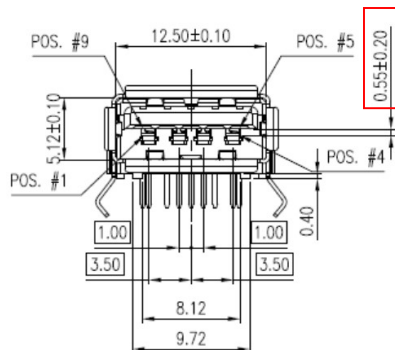
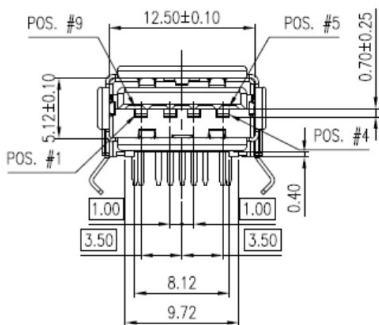
#### Old version part:

1. P/N: GSB41113XXHR: REV:B -->

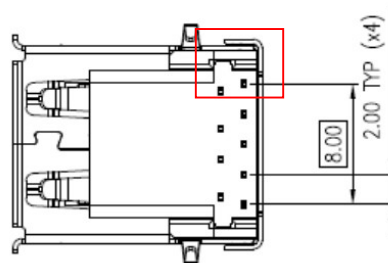
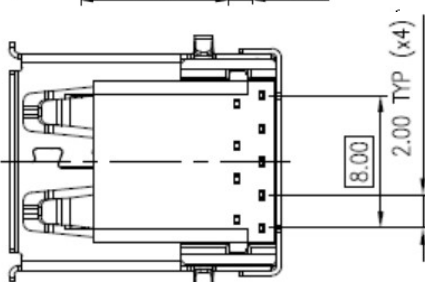
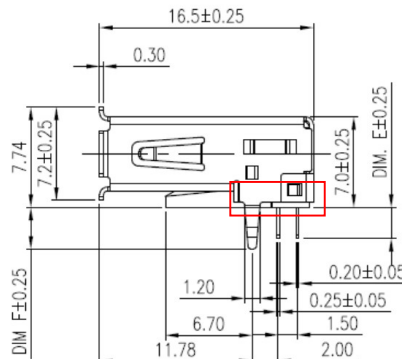
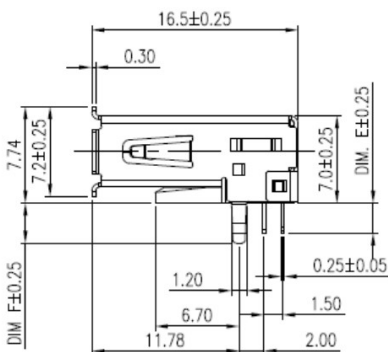
#### New version part:

New P/N: GSB4111XXHR:REV: C

2. Contact high reduces lower to meet required 10K durability.



3. The gap increasing between shell and PCB is to avoid short circuit and raise safety factor, and stand-off area change of housing is to avoid soldering overlapping.



# Amphenol Taiwan Corporation Product Change Notification

## 4. Decreasing the width of terminal to avoid damage while connector mounting on PCB

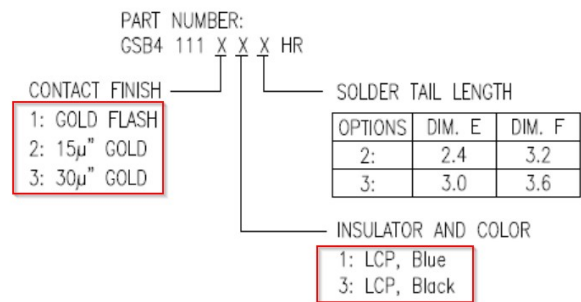
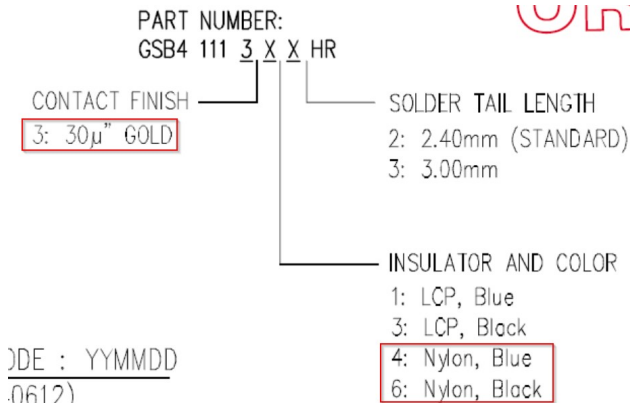


## 5. For market trend of high durability, shell material changed to stainless steel can meet more than 10000 cycle times.

4. METAL SHELL: COPPER ALLOY, 0.3mm THICKNESS, 50μ" MIN. NICKEL UNDER-PLATED OVERALL

4. METAL SHELL: **STAINLESS STEEL**, 0.3mm THICKNESS, 50μ" MIN. NICKEL UNDER-PLATED OVERALL

## 6. Plating G/F & 15u" option added and obsolete part number P/N: GSB4111X4XHR & GSB4111X6XHR.



### Product Part Number Affected:

GSB4111XXXHR part number system

**Implementation date:** 1<sup>st</sup> of October, 2021.

Running change

### Recommended Action:

Sales representative to inform customers for the drawing update.

If customers need the new sample test, please come to product manager.

Please update new document number **GSB4111XXXHR** instead of **GSB41113XXHR**.

Max Chang, Product Manager,  
886-3-2647200 ext 273  
[Max.chang@amphenol.com.tw](mailto:Max.chang@amphenol.com.tw)

