

# Amphenol Taiwan Corporation Product Change Notification

<b>Part Numbers Concerned :</b>	GSB41111XXHR GSB41113XXHR	<b>Originator:</b>	Debby Hung
<b>Customer P/N:</b>		<b>Issue Date:</b>	2021/10/06
<b>Product Description:</b>	USB 3.2 GEN2 CONNECTOR STANDARD A R/A DIP TYPE R/A DIP TYPE	<b>PCN NO:</b>	1210-21001170
<b>Distribution:</b>			

## Product Change Notice

This tool has been produced for many years. The tooling is too old to produce, so that shell is tooled for material upgrade, and design features are improved.

1. GSB41111XXHR drawing is void; it's combined to GSB4111XXXHR drawing.
2. New tool for the shell and housing for the improvement of plastic's standoff features and terminal's design.
3. Material of metal shell upgrade to stainless steel for high durability market needs.
4. The options of plating G/F & 15u" are added and Nylon Option of P/N: GSB4111X4XHR & GSB4111X6XHR is removed.
5. Drawing number GSB41113XXHR updates to GSB4111XXXHR.
6. Drawing update for T&R and terminal length option added.

P/N: GSB41111XXHR: REV:A -->  
**Old version part:**

New P/N: GSB41111XXHR:REV: B  
**New version part:**

1. GSB41111XXHR drawing is void; it's combined to GSB4111XXXHR drawing.

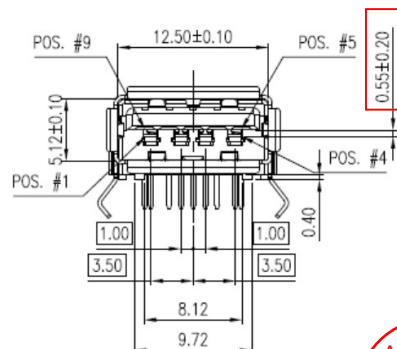
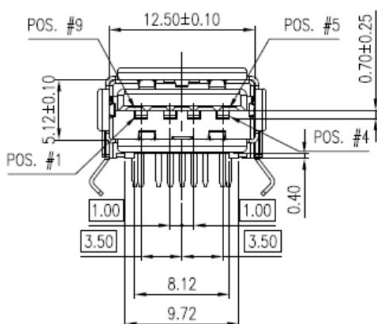
P/N: GSB41113XXHR: REV:B -->

New P/N: GSB4111XXXHR:REV: C

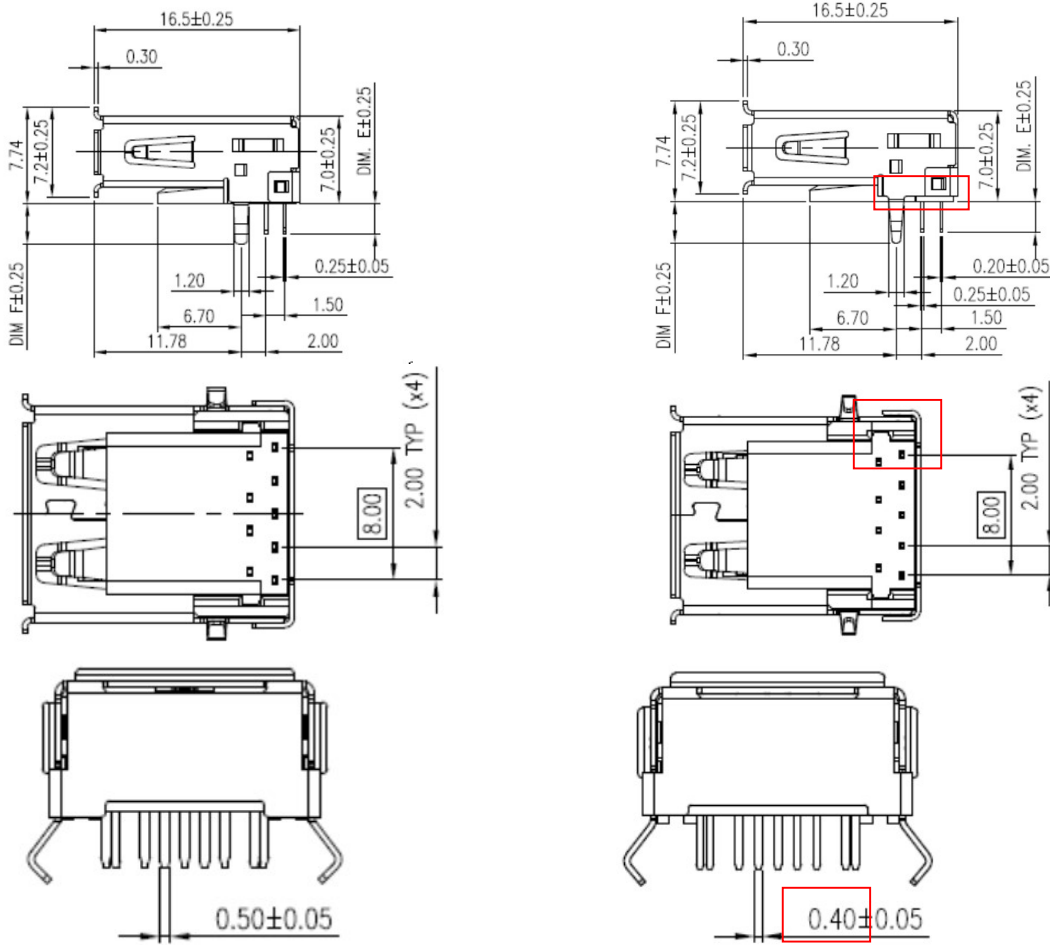
**Old version part:**

**New version part:**

2. New tool for the shell and housing for the improvement of plastic's standoff features and terminal's design.



# Amphenol Taiwan Corporation Product Change Notification



3. Material of metal shell upgrade to stainless steel for high durability market needs.

4. METAL SHELL: COPPER ALLOY, 0.3mm THICKNESS, 50 $\mu$ m MIN. NICKEL UNDER-PLATED OVERALL

4. METAL SHELL: **STAINLESS STEEL**, 0.3mm THICKNESS, 50 $\mu$ m MIN. NICKEL UNDER-PLATED OVERALL

4. The options of plating G/F & 15 $\mu$  are added and Nylon Option of P/N: GSB4111X4XHR & GSB4111X6XHR is removed.

PART NUMBER:  
GSB4 111 3 X X HR



CONTACT FINISH

3: 30 $\mu$  GOLD

SOLDER TAIL LENGTH

2: 2.40mm (STANDARD)  
3: 3.00mm

INSULATOR AND COLOR

1: LCP, Blue  
3: LCP, Black  
4: Nylon, Blue  
6: Nylon, Black

PART NUMBER:  
GSB4 111 X X X HR

CONTACT FINISH

1: GOLD FLASH  
2: 15 $\mu$  GOLD  
3: 30 $\mu$  GOLD

SOLDER TAIL LENGTH

OPTIONS	DIM. E	DIM. F
2:	2.4	3.2
3:	3.0	3.6

INSULATOR AND COLOR

1: LCP, Blue  
3: LCP, Black

DATE : YYMMDD  
(0612)

# Amphenol Taiwan Corporation Product Change Notification

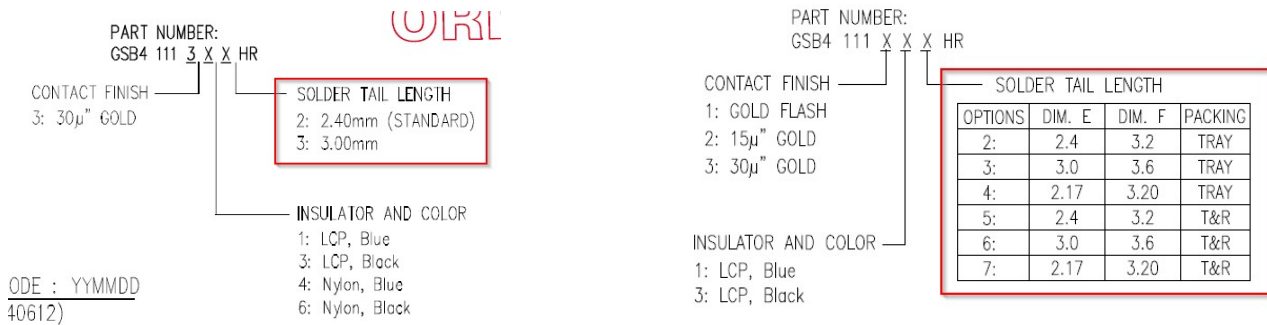
4. Update drawing number GSB41113XXHR to GSB4111XXXHR drawing number.

<b>Amphenol</b> ®		
Amphenol Corporation Amphenol Taiwan Corporation		
PART No.	GSB4 111 3XX HR	
DWG No.	GSB41113XXHR	REV. B

<b>Amphenol</b> ®		
Amphenol Corporation Amphenol Taiwan Corporation		
PART No.	GSB4111XXXHR	
DWG No.	GSB4111XXXHR	REV. C

5. Drawing number GSB41113XXHR updates to GSB4111XXXHR.

6. Drawing update for T&R and terminal length option added.



**Background:**  
Process optimization.

**Product Part Number Affected:**  
GSB4111XXXHR

**Implementation date:**  
Running change

**Recommended Action:**  
Sales representative to inform customers for the drawing update.



**DOC#:QRF-04-041 B**