



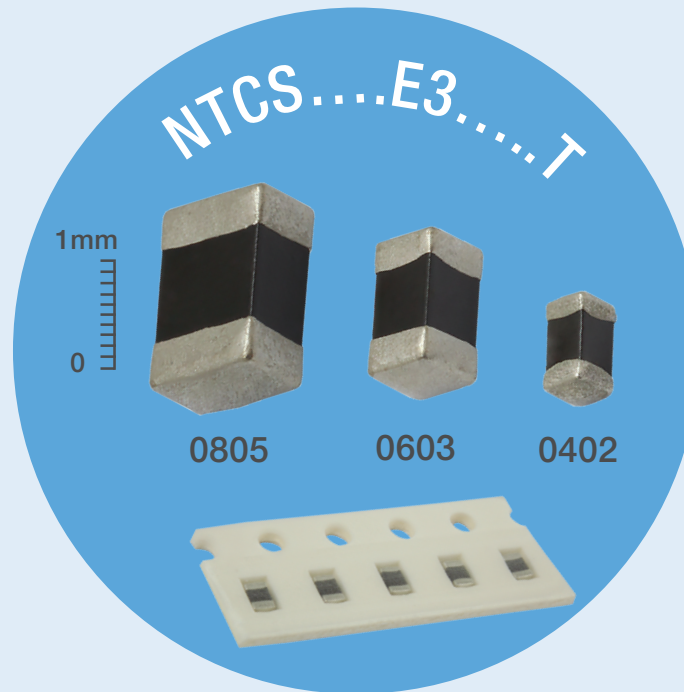
# NTCS SURFACE-MOUNT NTC THERMISTORS

## GLASS PROTECTED / NI BARRIER - SN TERMINATIONS

# SNAPSHOT

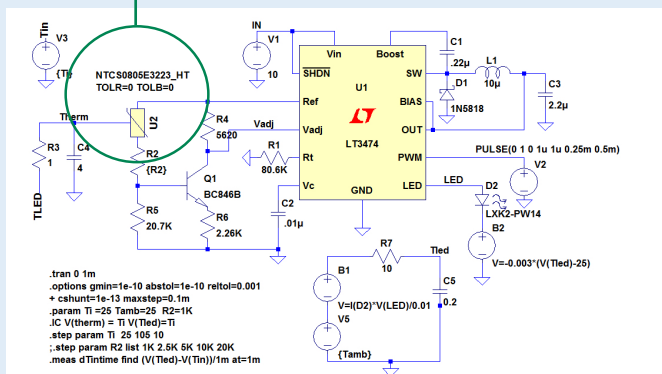
### COMPLIANCE TO STANDARDS

- AEC-Q200 qualified
- Sustaining ESD air discharge: 25 kV (HBM)
- UL 1434 certified (File E148885)
- Sulfur-resistant to ASTM B809-95
- RoHS-compliant
- Whisker testing according to JESD 201 A



### TEMPERATURE SENSING / CONTROL / PROTECTION

#### NTCS0805



### APPLICATIONS

- LED over-current limitation
- Li-ion and Li-polymer over-temperature detection
- Power modules (EV, HEV, ...)
- Optoelectronics
- Car infotainment
- Medical equipment

### MULTIPLE DESIGN TOOLS AVAILABLE

- Resistance / temperature curve in “My Vishay NTC Curve” (©Excel)
- Resistor / thermistor network output computation (online)
- SPICE multi-simulator models (PSpice / LTspice / TINA / Multisim / Altium / Simetrix / SaberRD...)

### (VERY) STABLE IN CLIMATIC TESTING (OPERATIONAL LIFE)

