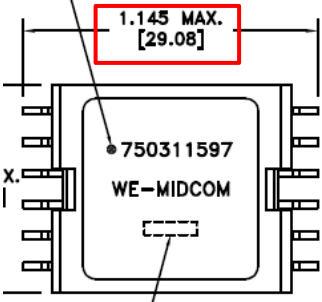
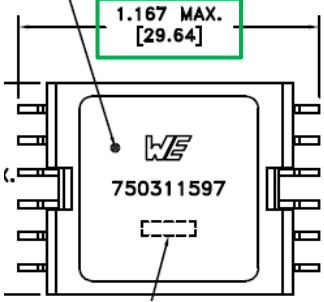




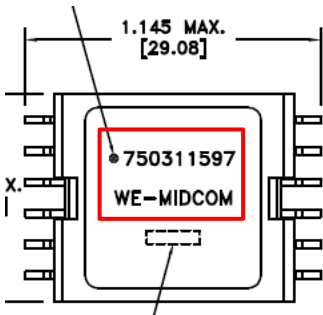
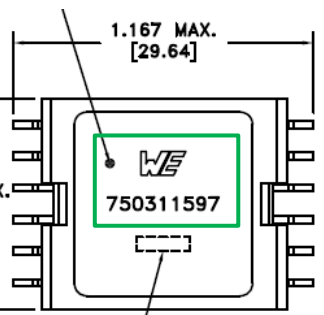
<b>Product / Process Change Notification (PCN)</b>	
<input checked="" type="checkbox"/> Major change <input type="checkbox"/> Minor change	
<b>PCN #:</b> PCN_UtFB3748_20220522 <b>Affected Series:</b> WE-FB3748-Series; P/N Range <b>PCN Date:</b> February 22, 2022 <b>Effective Date:</b> May 22, 2022	<b>Change Category:</b> <input type="checkbox"/> Equipment / Location <input checked="" type="checkbox"/> General Data <input type="checkbox"/> Material <input type="checkbox"/> Process <input type="checkbox"/> Product Design <input type="checkbox"/> Shipping / Packaging <input type="checkbox"/> Supplier <input type="checkbox"/> Software
<b>Contact:</b> Product Management <b>Phone:</b> +49 (0) 7942 - 945 5001 <b>Fax:</b> +49 (0) 7942 - 945 5179 <b>E-Mail:</b> pcn.eisos@we-online.com	<b>Data Sheet Change:</b> <input checked="" type="checkbox"/> Yes <input type="checkbox"/> No <b>Attachment:</b> <input type="checkbox"/> Yes <input checked="" type="checkbox"/> No
<b>Description and purpose of change:</b> <p>In line with internal standardization, Würth Elektronik will update the width dimension from 29.08mm to 29.64mm.          In addition the marking will be updated.          All products with date code 2022-05-22 or later, will be affected by this change.          This is a datasheet correction only. There will be no change in function, quality or reliability of the product.</p> <p>Below is a list of the effected part numbers:          750310617, 750311797, 750311385, 750311597, 750311598, 750311599, 750311604, 750311605,          750311607, 750311600, and 750311608.</p>	

**Detail of Change:**

1. The width dimension specification will be updated

From	To
	

2. The marking will be updated

From	To
	

**Reliability / Qualification Summary:**

There will be no change of the product, therefore no additional reliability or qualification testing will be performed.