



DATE: 20th November, 2019

PCN #: 2429

PCN Title: Additional Qualified (AT) Assembly Test Site + BOM + Top Marking

Dear Customer:

This is an announcement of change(s) to products that are currently being offered by Diodes Incorporated.

We request that you acknowledge receipt of this notification within 30 days of the date of this PCN. If you require samples for evaluation purposes, please make a request within 30 days as well. Otherwise, samples may not be built prior to this change. Please refer to the implementation date of this change as it is stated in the attached PCN form. Please contact your local Diodes sales representative to acknowledge receipt of this PCN and for any sample requests.

The changes announced in this PCN will not be implemented earlier than 90 days from the notification date stated in the attached PCN form.

Previously agreed upon customer specific change process requirements or device specific requirements will be addressed separately.

For questions or clarification regarding this PCN, please contact your local Diodes sales representative.

Sincerely,

Diodes Incorporated PCN Team



PRODUCT CHANGE NOTICE

PCN-2429 REV 1

Notification Date:	Implementation Date:	Product Family:	Change Type:	PCN #:
20 th November, 2019	20 th February, 2020	Analog Semiconductors	Additional Qualified (AT) Assembly Test Site + BOM + Top Marking	2429
TITLE				
Additional Qualified (AT) Assembly Test Site + BOM + Top Marking				
DESCRIPTION OF CHANGE				
<p>This PCN is being issued to notify customers that in order to assure continuity of supply, Diodes has qualified additional internal AT site Diodes Technology (Chengdu) Co. Ltd. (CAT) located in Chengdu, China and Shanghai SIMAT Microelectronics Technology Co., Ltd. (SIMAT) located in Shanghai China. Diodes has also qualified additional Bill of Material (BOM) on select products. Lastly, Diodes is adding a top marking format change (as referenced in Table 2A for added traceability).</p> <p>Full electrical characterization and high reliability testing has been completed to ensure there is no change to device functionality or electrical specifications in the datasheet. Refer to attached qualification / reliability report (embedded in this file).</p>				
IMPACT				
Continuity of Supply. No change in data sheet parameters and product performance.				
PRODUCTS AFFECTED				
Table 1 - Qualify Additional BOM (Au wire) Table 2 - Qualify Additional Assembly Test Site (CAT) with Top Marking Change (See Table 2A) Table 3 - Qualify Additional Assembly Test Site (SIMAT) Table 4 - Qualify Additional BOM "Lead Frame" in (SIMAT) Table 5 - Qualify Additional Assembly Site (CAT)				
WEB LINKS				
Manufacturer's Notice:	https://www.diodes.com/quality/product-change-notices/diodes-product-change-notices/			
For More Information Contact:	http://www.diodes.com/contacts			
Data Sheet:	http://www.diodes.com/products			
DISCLAIMER				
Unless a Diodes Incorporated Sales representative is contacted in writing within 30 days of the posting of this notice, all changes described in this announcement are considered approved.				

Table 1 - Qualify Additional BOM (Au wire)

AL5814MP-13	AL5817MP-13				
-------------	-------------	--	--	--	--

Table 2 - Qualify Additional Assembly Test Site (CAT) with Top Marking Change (See Table 2A)

ZABG4003JA16TC	ZABG6003JA16TC	ZABG6004JA16TC			
----------------	----------------	----------------	--	--	--

Table 3 - Qualify Additional Assembly Test Site (SIMAT)

AZ1117EH-1.2TRG1	AZ1117EH-1.5TRG1	AZ1117EH-1.8TRG1	AZ1117EH-2.5TRG1	AZ1117EH-3.3TRG1	AZ1117EH-5.0TRG1
AZ1117EH-ADJTRG1					


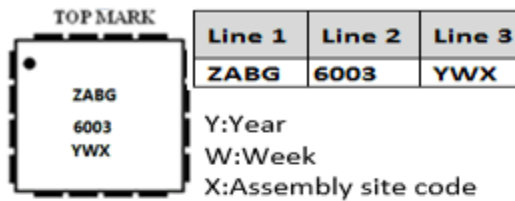
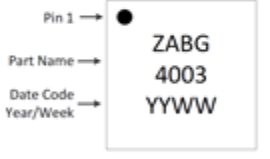
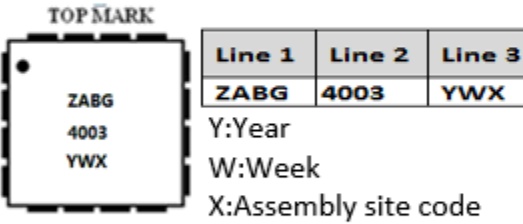

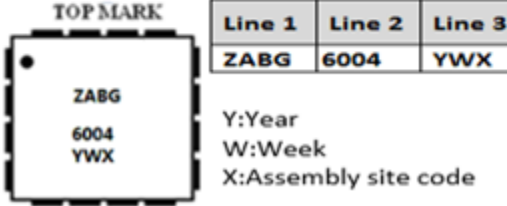
Table 4 - Qualify Additional BOM "Lead Frame" in (SIMAT)

AZ1117CH-1.2TRG1	AZ1117CH-1.5TRG1	AZ1117CH-1.8TRG1	AZ1117CH-2.5TRG1	AZ1117CH2-1.2TRG1	AZ1117CH2-1.5TRG1
AZ1117CH2-1.8TRG1	AZ1117CH2-2.5TRG1	AZ1117CH2-3.3TRG1	AZ1117CH2-5.0TRG1	AZ1117CH2-ADJTRG1	AZ1117CH-3.3TRG1
AZ1117CH-5.0TRG1	AZ1117CH-ADJTRG1	AZ1117H-1.2TRG1	AZ1117H-1.5TRG1	AZ1117H-1.8TRG1	AZ1117H-2.5TRG1
AZ1117H-3.3TRG1	AZ1117H-5.0TRG1	AZ1117H-ADJTRG1			

Table 5 - Qualify Additional Assembly Site (CAT)

AP22804ASN-7	AP22804BSN-7	AP22814ASN-7	AP22814BSN-7	AP2301ASN-7	AP2301SN-7
AP2311ASN-7	AP2311SN-7	AP2401ASN-7	AP2401SN-7	AP2411SN-7	AP2501ASN-7
AP2501SN-7	AP2511ASN-7	AP2511SN-7	AP7335-08SNG-7	AP7335-10SNG-7	AP7335-12SNG-7
AP7335-15SNG-7	AP7335-18SNG-7	AP7335-20SNG-7	AP7335-25SNG-7	AP7335-27SNG-7	AP7335-28SNG-7
AP7335-30SNG-7	AP7335-33SNG-7	AP7335-39SNG-7	AP7335A-33SN-7	AP7335A-50SN-7	AP7335-SNG-7
AP7365-08SNG-7	AP7365-10SNG-7	AP7365-12SNG-7	AP7365-15SNG-7	AP7365-18SNG-7	AP7365-20SNG-7
AP7365-25SNG-7	AP7365-28SNG-7	AP7365-30SNG-7	AP7365-33SNG-7	AP7365-39SNG-7	AP7365-SNG-7

Table 2A Marking Change

Old part mark	New part mark						
	 <table border="1" data-bbox="824 535 1149 609"> <thead> <tr> <th>Line 1</th> <th>Line 2</th> <th>Line 3</th> </tr> </thead> <tbody> <tr> <td>ZABG</td> <td>6003</td> <td>YWX</td> </tr> </tbody> </table> <p>Y:Year W:Week X:Assembly site code</p>	Line 1	Line 2	Line 3	ZABG	6003	YWX
Line 1	Line 2	Line 3					
ZABG	6003	YWX					
	 <table border="1" data-bbox="824 808 1149 882"> <thead> <tr> <th>Line 1</th> <th>Line 2</th> <th>Line 3</th> </tr> </thead> <tbody> <tr> <td>ZABG</td> <td>4003</td> <td>YWX</td> </tr> </tbody> </table> <p>Y:Year W:Week X:Assembly site code</p>	Line 1	Line 2	Line 3	ZABG	4003	YWX
Line 1	Line 2	Line 3					
ZABG	4003	YWX					
	 <table border="1" data-bbox="844 1039 1153 1113"> <thead> <tr> <th>Line 1</th> <th>Line 2</th> <th>Line 3</th> </tr> </thead> <tbody> <tr> <td>ZABG</td> <td>6004</td> <td>YWX</td> </tr> </tbody> </table> <p>Y:Year W:Week X:Assembly site code</p>	Line 1	Line 2	Line 3	ZABG	6004	YWX
Line 1	Line 2	Line 3					
ZABG	6004	YWX					