

## Description

The DIODES APR343 is a secondary side MOSFET driver for synchronous rectification in DCM operation, which integrates the output voltage detection function for primary side control system.

The synchronous rectification can effectively reduce the secondary side rectifier power dissipation and provide high performance solution. By sensing MOSFET drain-to-source voltage, APR343 can output ideal drive signal with less external components. It can provide high-performance solution for 5V output voltage application.

Same as DIODES AP4341, APR343 detects the output voltage and provides a periodical signal when the output voltage is lower than a certain threshold. By fast response to secondary side voltage, APR343 can effectively improve the transient performance of primary side control system.

The APR343 is available in SOT25 package.

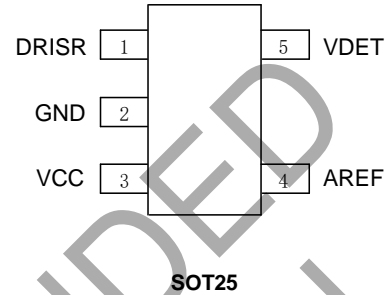
## Features

- Synchronous Rectification for DCM Operation Flyback
- Eliminate Resonant Ring Interference
- Fast Detector of Supply Voltage
- Fewest External Components
- **Totally Lead-free & Fully RoHS Compliant (Notes 1 & 2)**
- **Halogen and Antimony Free. "Green" Device (Note 3)**
- **For automotive applications requiring specific change control (i.e. parts qualified to AEC-Q100/101/104/200, PPAP capable, and manufactured in IATF 16949 certified facilities), please [contact us](#) or your local Diodes representative. <https://www.diodes.com/quality/product-definitions/>**

- Notes:
1. No purposely added lead. Fully EU Directive 2002/95/EC (RoHS), 2011/65/EU (RoHS 2) & 2015/863/EU (RoHS 3) compliant.
  2. See <https://www.diodes.com/quality/lead-free/> for more information about Diodes Incorporated's definitions of Halogen- and Antimony-free, "Green" and Lead-free.
  3. Halogen- and Antimony-free "Green" products are defined as those which contain <900ppm bromine, <900ppm chlorine (<1500ppm total Br + Cl) and <1000ppm antimony compounds.

## Pin Assignments

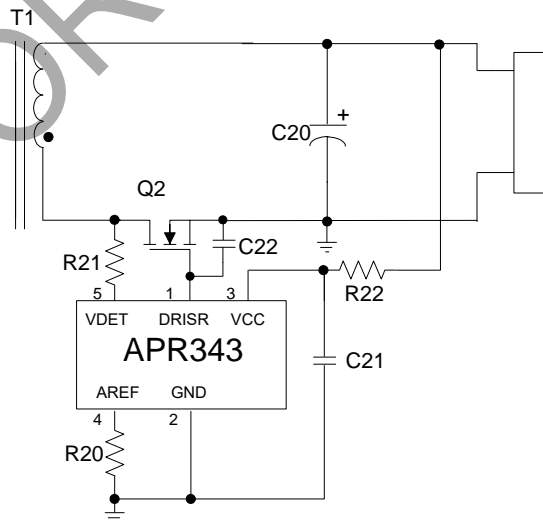
(Top View)



## Applications

- Adapters/chargers for cell/cordless phones, ADSL modems, MP3 and other portable apparatus
- Standby and auxiliary power supplies

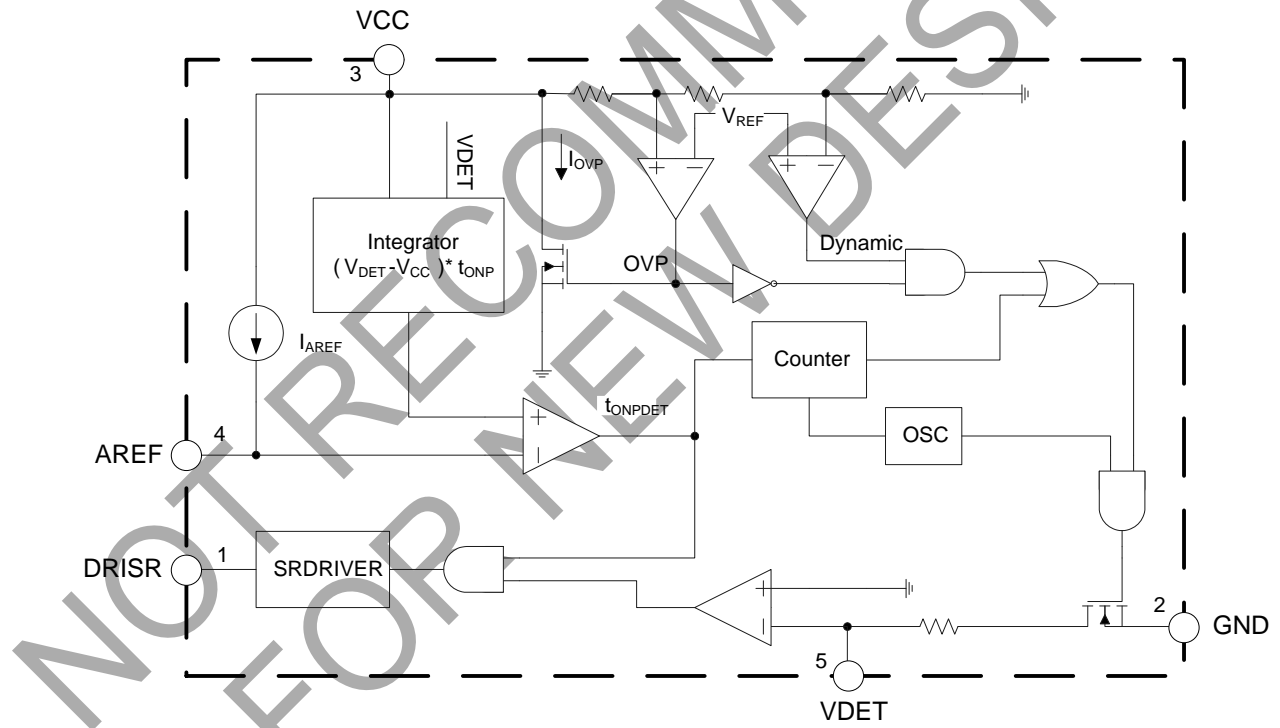
## Typical Applications Circuit



**Pin Descriptions**

| Pin Number | Pin Name | Function  |
|------------|----------|---|
| 1          | DRISR    | Synchronous rectification MOSFET Gate drive   |
| 2          | GND      | Ground  |
| 3          | VCC      | Power supply, connected with system output  |
| 4          | AREF     | Program a voltage reference with a resistor from AREF to GND, to enable synchronous rectification MOSFET drive signal |
| 5          | VDET     | Synchronous rectification sense input and dynamic function output, connected with secondary winding                   |

**Functional Block Diagram**



## Absolute Maximum Ratings (Note 4)

| Symbol                                 | Parameter                                   | Rating             | Unit |
|--|---|--------------------|------|
| V <sub>CC</sub>                        | Supply Voltage                              | -0.3 to 7.5        | V    |
| V <sub>DET</sub>                       | Voltage at V <sub>DET</sub> Pin             | -2 to 50           | V    |
| V <sub>AREF</sub> , V <sub>DRISR</sub> | Voltage at AREF, DRISR Pin                  | -0.3 to 6          | V    |
| –                                      | Output Current at V <sub>DET</sub>          | Internally limited | A    |
| P <sub>D</sub>                         | Power Dissipation at T <sub>A</sub> = +25°C | 0.6                | W    |
| T <sub>J</sub>                         | Operating Junction Temperature              | +150               | °C   |
| T <sub>STG</sub>                       | Storage Temperature                         | -65 to +150        | °C   |
| –                                      | Lead Temperature (Soldering, 10 sec)        | +300               | °C   |
| θ <sub>JA</sub>                        | Thermal Resistance (Junction to Ambient)    | 197                | °C/W |
| θ <sub>JC</sub>                        | Thermal Resistance (Junction to Case)       | 76                 | °C/W |

Note: 4. Stresses greater than those listed under “Absolute Maximum Ratings” can cause permanent damage to the device. These are stress ratings only, and Functional operation of the device at these or any other conditions beyond those indicated under “Recommended Operating Conditions” is not implied. Exposure to “Absolute Maximum Ratings” for extended periods can affect device reliability.

## Recommended Operating Conditions

| Symbol          | Parameter           | Min | Max | Unit |
|-----------------|---------------------|-----|-----|------|
| V <sub>CC</sub> | Supply Voltage      | 0   | 6   | V    |
| T <sub>A</sub>  | Ambient Temperature | -40 | +85 | °C   |

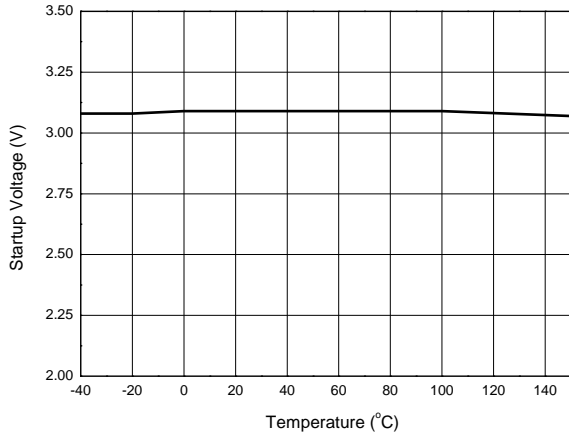
**Electrical Characteristics** (@V<sub>CC</sub> = 5V, T<sub>A</sub> = +25°C, unless otherwise specified.)

| Symbol   | Parameters  | Conditions   | Min   | Typ   | Max   | Unit  |
|--|---|--|-------|-------|-------|-------|
| <b>Supply Voltage ( VCC Pin )</b>                    |   |  |       |       |       |       |
| I <sub>STARTUP</sub>                                 | Startup Current   | V <sub>CC</sub> = V <sub>STARTUP</sub> -0.1V   | –     | 100   | 150   | μA    |
| I <sub>OP</sub>                                      | Operating Current   | V <sub>DET</sub> pin floating<br>V <sub>CC</sub> = V <sub>TRIGGER</sub> +20mV  | 40    | 100   | 150   | μA    |
| V <sub>STARTUP</sub>                                 | Startup Voltage   | –  | 2.6   | 3.1   | 3.4   | V     |
| –  | UVLO  | –  | 2.3   | 2.8   | 3.1   | V     |
| <b>Dynamic Output Section/Oscillator Section</b>     |   |  |       |       |       |       |
| V <sub>TRIGGER</sub>                                 | Internal Trigger Voltage  | –  | 5.25  | 5.3   | 5.35  | V     |
| –  | Duty Cycle  | –  | 4     | 8     | 12    | %     |
| t <sub>OSC</sub>                                     | Oscillation Period  | V <sub>CC</sub> = 5V   | 18    | 30    | 37.5  | μs    |
| I <sub>TRIGGER</sub>                                 | Internal Trigger Current  | V <sub>CC</sub> = V <sub>TRIGGER</sub> , V <sub>CC</sub> /V <sub>DET</sub> pin is separately connected to a 20Ω resistor | 30    | –     | 42    | mA    |
| t <sub>DIS</sub>                                     | Minimum Period  | –  | 18    | 30    | 37.5  | ms    |
| V <sub>DIS</sub>                                     | Discharge Voltage   | –  | 5.28  | 5.44  | 5.52  | V     |
| I <sub>DIS</sub>                                     | Discharge Current   | V <sub>CC</sub> = V <sub>DIS</sub> +0.1V   | 1.5   | 3     | 4.5   | mA    |
| V <sub>DIS</sub> -V <sub>TRIGGER</sub>               | Trigger Discharger Gap  | –  | 30    | 110   | –     | mV    |
| V <sub>OVP</sub>                                     | Overshoot Voltage for Discharge                                   | –  | 5.8   | 5.9   | 6.0   | V     |
| I <sub>OVP</sub>                                     | Overshoot Current for Discharge                                   | V <sub>CC</sub> = V <sub>OVP</sub> +0.1V, V <sub>CC</sub> pin is connected to a 20Ω resistor                             | 40    | –     | 100   | mA    |
| <b>Synchronous Rectification Detection and Drive</b> |   |  |       |       |       |       |
| V <sub>THON</sub>                                    | Gate Turn On Threshold  | –  | 0     | –     | 1     | V     |
| V <sub>THOFF</sub>                                   | Gate Turn Off Threshold   | –  | -20   | -12.5 | -5    | mV    |
| t <sub>DON</sub>                                     | Turn On Delay Time  | From V <sub>THON</sub> to V <sub>DRISE</sub> = 1V  | –     | 70    | 130   | ns    |
| t <sub>DOFF</sub>                                    | Turn Off Propagation Delay Time                                   | From V <sub>THOFF</sub> to V <sub>DRISE</sub> = 3V   | –     | 100   | 150   | ns    |
| t <sub>TRG</sub>                                     | Turn On Rising Time   | From 1V to 3V, C <sub>L</sub> = 4.7nF  | –     | 50    | 100   | ns    |
| t <sub>TFG</sub>                                     | Turn Off Falling Time   | From 3V to 1V, C <sub>L</sub> = 4.7nF  | –     | 50    | 100   | ns    |
| t <sub>LEB_S</sub>                                   | Minimum On Time   | (V <sub>DET</sub> -V <sub>CC</sub> )*t <sub>ONP</sub> = 25Vμs  | 0.9   | 1.8   | 2.7   | μs    |
| t <sub>LEB_L</sub>                                   |   | (V <sub>DET</sub> -V <sub>CC</sub> )*t <sub>ONP</sub> = 50Vμs  | –     | –     | 6.5   |       |
| V <sub>DRISE_HIGH</sub>                              | Drive Output Voltage  | V <sub>CC</sub> = 5V   | 3.7   | –     | –     | V     |
| V <sub>S_MIN</sub>                                   | Synchronous Rectification (SR) Minimum Operating Voltage (Note 5) | –  | –     | –     | 4.5   | V     |
| t <sub>OVP_LAST</sub>                                | Added OVP Discharge Time  | –  | –     | 2.0   | –     | ms    |
| K <sub>qs</sub>                                      | (Note 6)  | (V <sub>DET</sub> -V <sub>CC</sub> )*t <sub>ONP</sub> = 25Vμs  | 0.325 | –     | 0.625 | mA*μs |

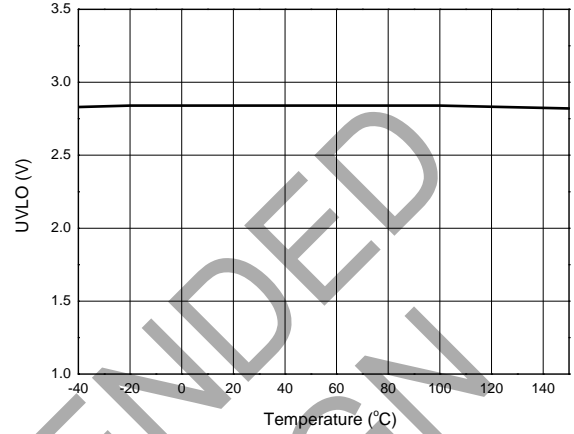
Notes: 5. This item specifies the minimum SR operating voltage of V<sub>IN\_DC</sub>, V<sub>IN\_DC</sub> ≥ N<sub>PS</sub>\*V<sub>S\_MIN</sub>.  
6. This item is used to specify the value of R<sub>AREF</sub>.

**Performance Characteristics**

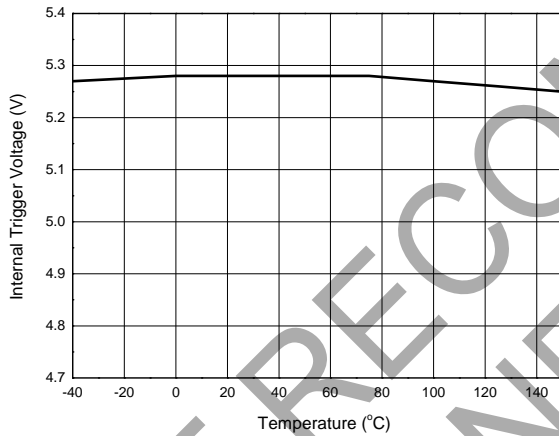
**Startup Voltage vs. Temperature**



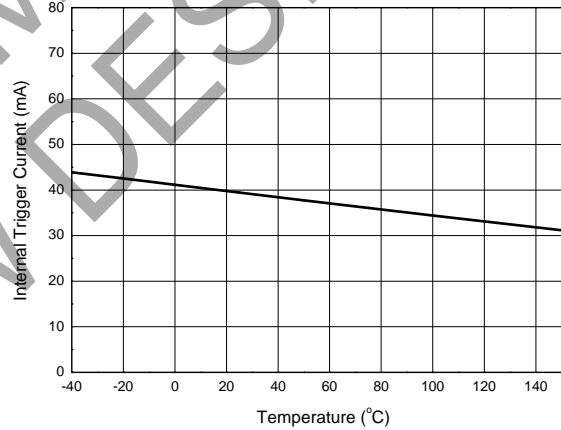
**UVLO vs. Temperature**



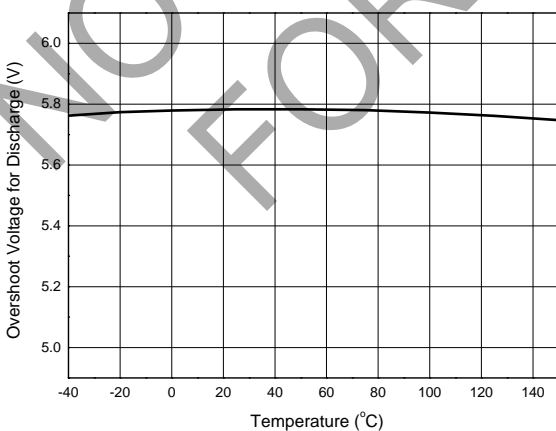
**Internal Trigger Voltage vs. Temperature**



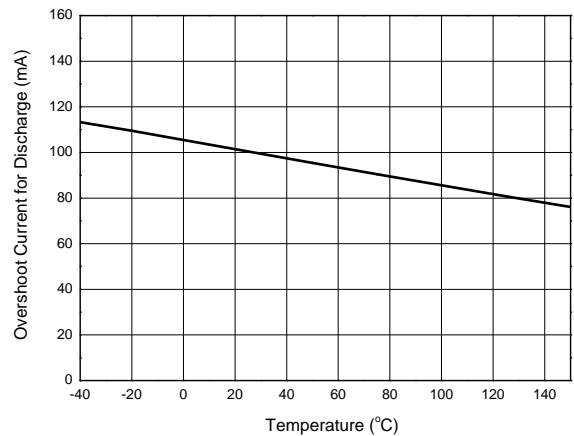
**Internal Trigger Current vs. Temperature**



**Overshoot Voltage for Discharge vs. Temperature**

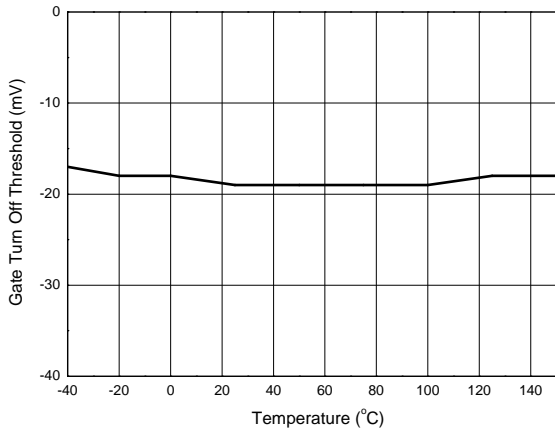


**Overshoot Current for Discharge vs. Temperature**

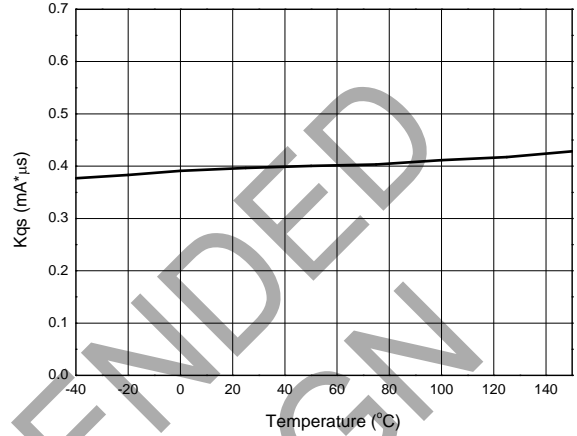


**Performance Characteristics** (continued)

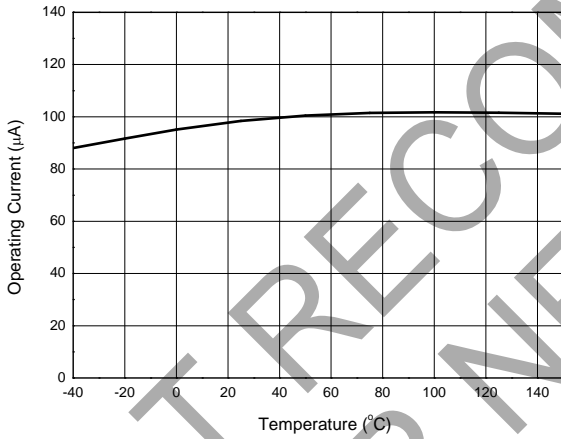
**Gate Turn Off Threshold vs. Temperature**



**Kqs (See Note 6) vs. Temperature**



**Operating Current vs. Temperature**



NOT RECOMMENDED FOR NEW DESIGN

**Output Voltage Detection Function Description**

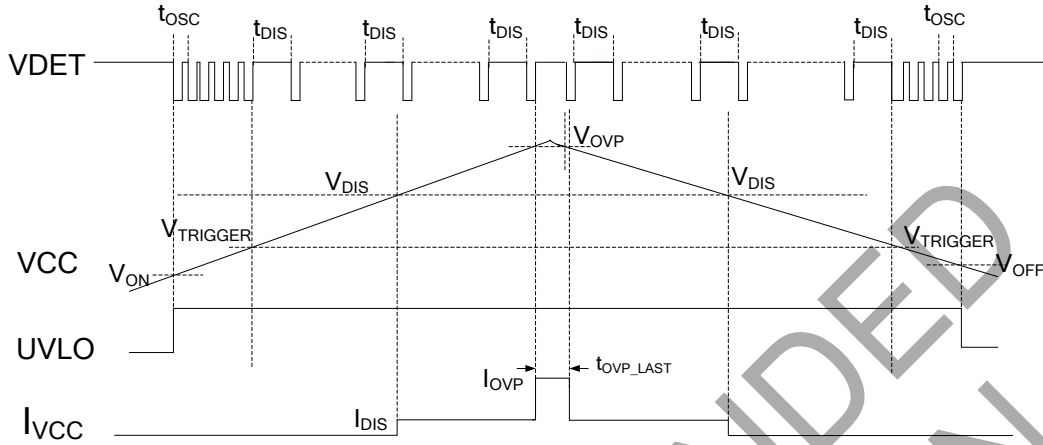


Figure 1. Typical Waveforms 1 of APR343

When  $V_{CC}$  is beyond power-on voltage ( $V_{ON}$ ), the APR343 starts up. The VDET pin asserts a periodical pulse and the oscillation period is  $t_{osc}$ . When  $V_{CC}$  is beyond the trigger voltage ( $V_{TRIGGER}$ ), the periodical pulse at VDET pin is discontinued. When  $V_{CC}$  is beyond the discharge voltage ( $V_{DIS}$ ), the discharge circuit will be enabled, and a 3mA current ( $I_{DIS}$ ) will flow into VCC pin. When  $V_{CC}$  is higher than the overshoot voltage ( $V_{OVP}$ ), the APR343 will enable a discharge circuit, the discharge current ( $I_{OVP}$ ) will last  $t_{OVP\_LAST}$  time. After the  $t_{OVP\_LAST}$  time, APR343 will stop the discharge current and detect VCC voltage again. If  $V_{CC}$  is still higher than  $V_{OVP}$ , the  $t_{OVP\_LAST}$  time discharge current will be enabled again. Once the OVP discharge current is asserted, the periodical pulse at VDET pin will be disabled.

When the  $V_{CC}$  is below the power-off voltage ( $V_{OFF}$ ), the APR343 will be shut down.

**MOSFET Driver Operation Description**

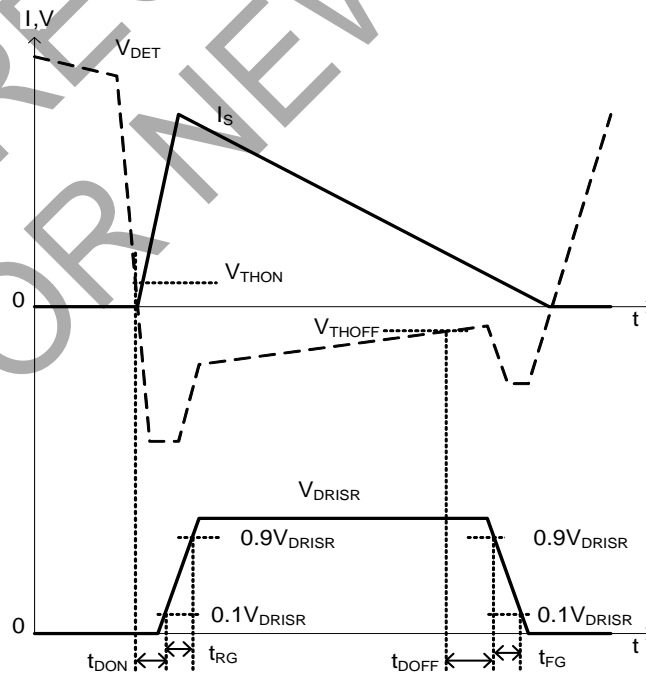


Figure 2. Typical Waveforms 2 of APR343

**MOSFET Driver Operation Description** (continued)

The operation of the SR is described with timing diagram shown in Figure 2. APR343 monitors the MOSFET drain-source voltage. When the drain voltage is lower than the turn-on threshold voltage  $V_{THON}$ , the IC outputs a positive drive voltage after a turn-on delay time ( $t_{DON}$ ). The MOSFET will turn on and the current will transfer from the body diode into the MOSFET's channel.

In the process of drain current decreasing linearly toward zero, the drain-source voltage rises synchronically. When it rises over the turn-off threshold voltage  $V_{THOFF}$ , APR343 pulls the drive signal down after a turn-off delay ( $t_{DOFF}$ ).

**Minimum On-Time**

When the controlled MOSFET gate is turned on, some ringing noise is generated. The minimum on-time timer blanks the  $V_{THOFF}$  comparator, keeping the controlled MOSFET on for at least the minimum on-time. If  $V_{THOFF}$  falls below the threshold before minimum on-time expires, the MOSFET will keep on until the end of the minimum on-time.

The minimum on-time is in direct proportion to the  $(V_{DET}-V_{CC}) * t_{ONP}$ . When  $(V_{DET}-V_{CC}) * t_{ONP} = 5V * 5\mu s$ , the minimum on-time is about  $1.8\mu s$ .

**The Value and Meaning of AREF Resistor**

As to DCM operation flyback converter, after secondary rectifier stops conduction the primary MOSFET drain-to-source ringing waveform is resulted from the resonant of primary inductance and equivalent switch device output capacitance. This ringing waveform probably leads to synchronous rectifier error conduction. To avoid this fault happening, APR343 has a special function design by means of volt-second product detecting. From the sensed voltage of VDET pin to see, the volt-second product of voltage above  $V_{CC}$  at primary switch on-time is much higher than the volt-second product of each cycle ringing voltage above  $V_{CC}$ . Therefore, before every time synchronous rectifier turning on, APR343 judges if the detected volt-second product of VDET voltage above  $V_{CC}$  is higher than a threshold and then turn on synchronous rectifier. The purpose of AREF resistor is to determine the volt-second product threshold. APR343 has a parameter, Kqs, which converts  $R_{AREF}$  value to volt-second product.

$$\text{Area 2} = R_{AREF} * Kqs$$

In general, Area1 and Area3 value depend on system design and always are fixed after system design frozen. As to Diodes Incorporated's PSR design, the Area1 value changes with primary peak current value and Area3 value generally keeps constant at all of conditions. So the AREF resistor design should consider the worst case, the minimum primary peak current condition. Since of system design parameter distribution, Area1 and Area3 have moderate tolerance. So Area2 should be designed between the middle of Area1 and Area3 to keep enough design margin.

$$\text{Area3} < R_{AREF} * Kqs < \text{Area1}$$

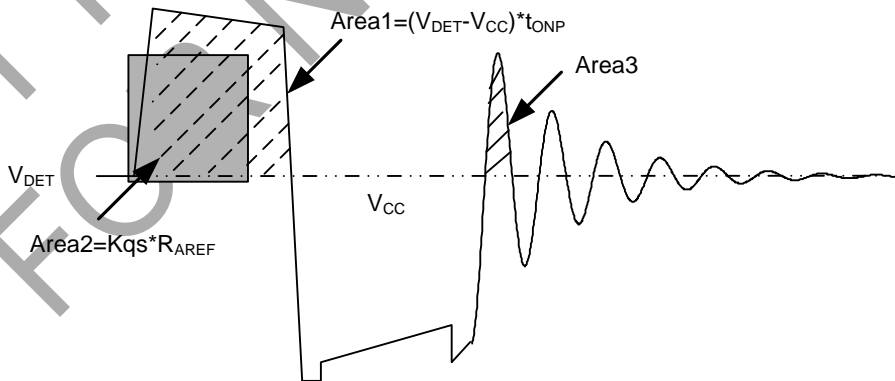


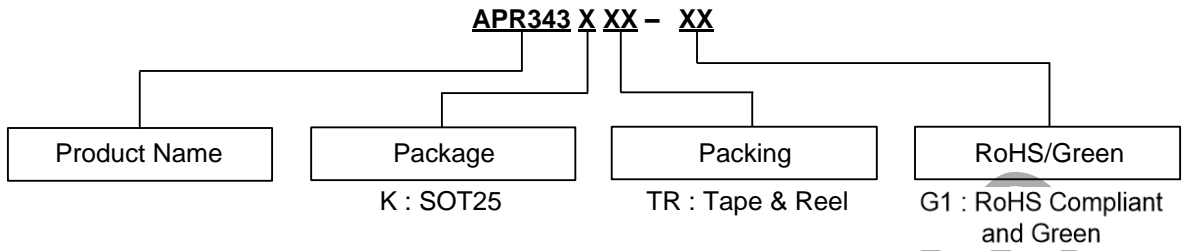
Figure 3. AREF Function

**SR Minimum Operating Voltage**

APR343 sets a minimum SR operating voltage by comparing the difference between  $V_{DET}$  and output voltage ( $V_{CC}$ ). The value of  $V_{DET}-V_{CC}$  must be higher than its internal reference, then APR343 will begin to integrate the area of  $(V_{DET}-V_{CC}) * t_{ONP}$ . If not, the area integrating will not begin and the SR driver will be disabled.



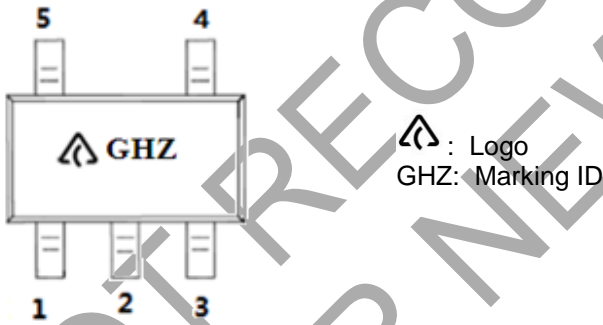
**Ordering Information**



| Part Number  | Temperature Range | Marking ID | Package | Packing |             |
|--------------|-------------------|------------|---------|---------|-------------|
|              |                   |            |         | Qty.    | Carrier     |
| APR343KTR-G1 | -40°C to +85°C    | GHZ        | SOT25   | 3000    | Tape & Reel |

**Marking Information**

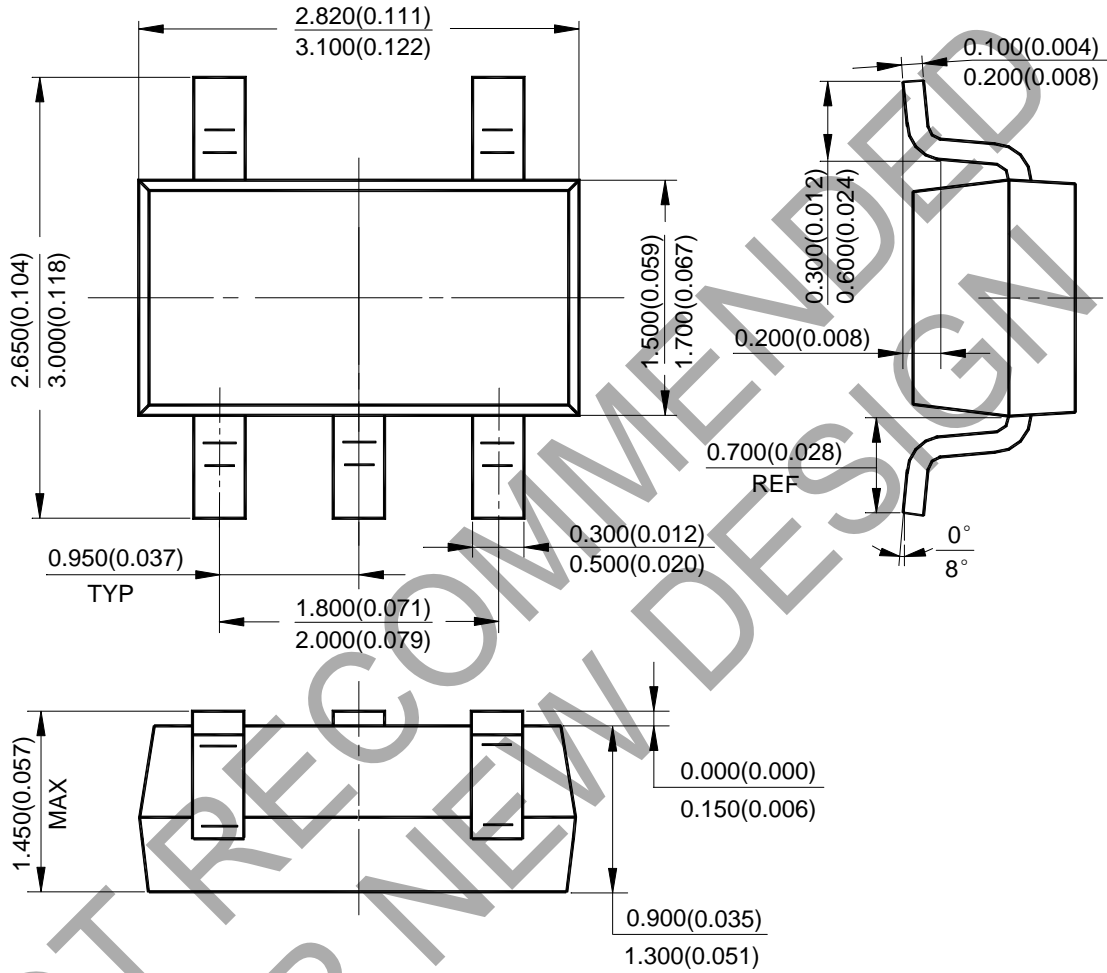
(Top View)



**Package Outline Dimensions** (All dimensions in mm(inch).)

Please see <http://www.diodes.com/package-outlines.html> for the latest version.

(1) Package Type: SOT25

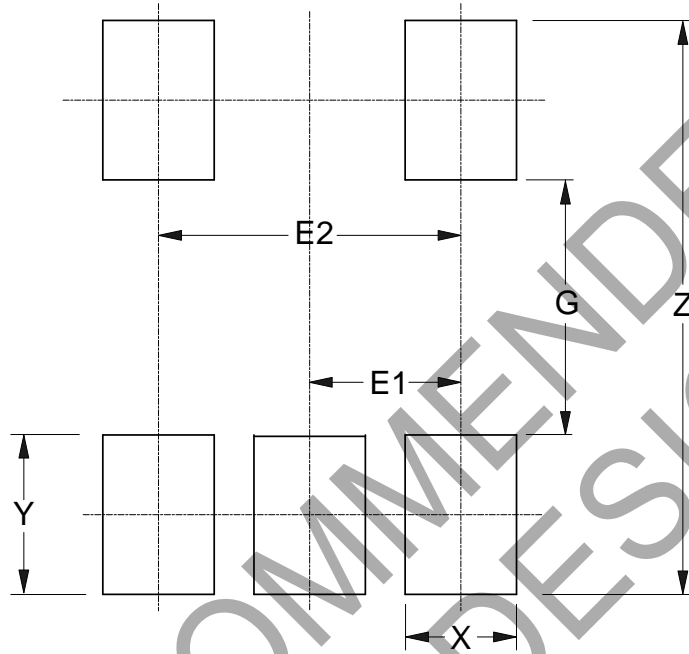


NOT FOR COMMERCIAL DESIGN

**Suggested Pad Layout**

Please see <http://www.diodes.com/package-outlines.html> for the latest version.

(1) Package Type: SOT25



| Dimensions | Z<br>(mm)/(inch) | G<br>(mm)/(inch) | X<br>(mm)/(inch) | Y<br>(mm)/(inch) | E1<br>(mm)/(inch) | E2<br>(mm)/(inch) |
|------------|------------------|------------------|------------------|------------------|-------------------|-------------------|
| Value      | 3.600/0.142      | 1.600/0.063      | 0.700/0.028      | 1.000/0.039      | 0.950/0.037       | 1.900/0.075       |

NOT RECOMMENDED FOR NEW DESIGN

**IMPORTANT NOTICE**

1. DIODES INCORPORATED (Diodes) AND ITS SUBSIDIARIES MAKE NO WARRANTY OF ANY KIND, EXPRESS OR IMPLIED, WITH REGARDS TO ANY INFORMATION CONTAINED IN THIS DOCUMENT, INCLUDING, BUT NOT LIMITED TO, THE IMPLIED WARRANTIES OF MERCHANTABILITY, FITNESS FOR A PARTICULAR PURPOSE OR NON-INFRINGEMENT OF THIRD PARTY INTELLECTUAL PROPERTY RIGHTS (AND THEIR EQUIVALENTS UNDER THE LAWS OF ANY JURISDICTION).
2. The Information contained herein is for informational purpose only and is provided only to illustrate the operation of Diodes' products described herein and application examples. Diodes does not assume any liability arising out of the application or use of this document or any product described herein. This document is intended for skilled and technically trained engineering customers and users who design with Diodes' products. Diodes' products may be used to facilitate safety-related applications; however, in all instances customers and users are responsible for (a) selecting the appropriate Diodes products for their applications, (b) evaluating the suitability of Diodes' products for their intended applications, (c) ensuring their applications, which incorporate Diodes' products, comply the applicable legal and regulatory requirements as well as safety and functional-safety related standards, and (d) ensuring they design with appropriate safeguards (including testing, validation, quality control techniques, redundancy, malfunction prevention, and appropriate treatment for aging degradation) to minimize the risks associated with their applications.
3. Diodes assumes no liability for any application-related information, support, assistance or feedback that may be provided by Diodes from time to time. Any customer or user of this document or products described herein will assume all risks and liabilities associated with such use, and will hold Diodes and all companies whose products are represented herein or on Diodes' websites, harmless against all damages and liabilities.
4. Products described herein may be covered by one or more United States, international or foreign patents and pending patent applications. Product names and markings noted herein may also be covered by one or more United States, international or foreign trademarks and trademark applications. Diodes does not convey any license under any of its intellectual property rights or the rights of any third parties (including third parties whose products and services may be described in this document or on Diodes' website) under this document.
5. Diodes' products are provided subject to Diodes' Standard Terms and Conditions of Sale (<https://www.diodes.com/about/company/terms-and-conditions/terms-and-conditions-of-sales/>) or other applicable terms. This document does not alter or expand the applicable warranties provided by Diodes. Diodes does not warrant or accept any liability whatsoever in respect of any products purchased through unauthorized sales channel.
6. Diodes' products and technology may not be used for or incorporated into any products or systems whose manufacture, use or sale is prohibited under any applicable laws and regulations. Should customers or users use Diodes' products in contravention of any applicable laws or regulations, or for any unintended or unauthorized application, customers and users will (a) be solely responsible for any damages, losses or penalties arising in connection therewith or as a result thereof, and (b) indemnify and hold Diodes and its representatives and agents harmless against any and all claims, damages, expenses, and attorney fees arising out of, directly or indirectly, any claim relating to any noncompliance with the applicable laws and regulations, as well as any unintended or unauthorized application.
7. While efforts have been made to ensure the information contained in this document is accurate, complete and current, it may contain technical inaccuracies, omissions and typographical errors. Diodes does not warrant that information contained in this document is error-free and Diodes is under no obligation to update or otherwise correct this information. Notwithstanding the foregoing, Diodes reserves the right to make modifications, enhancements, improvements, corrections or other changes without further notice to this document and any product described herein. This document is written in English but may be translated into multiple languages for reference. Only the English version of this document is the final and determinative format released by Diodes.
8. Any unauthorized copying, modification, distribution, transmission, display or other use of this document (or any portion hereof) is prohibited. Diodes assumes no responsibility for any losses incurred by the customers or users or any third parties arising from any such unauthorized use.
9. This Notice may be periodically updated with the most recent version available at <https://www.diodes.com/about/company/terms-and-conditions/important-notice>

The Diodes logo is a registered trademark of Diodes Incorporated in the United States and other countries.  
All other trademarks are the property of their respective owners.  
© 2023 Diodes Incorporated. All Rights Reserved.

[www.diodes.com](http://www.diodes.com)